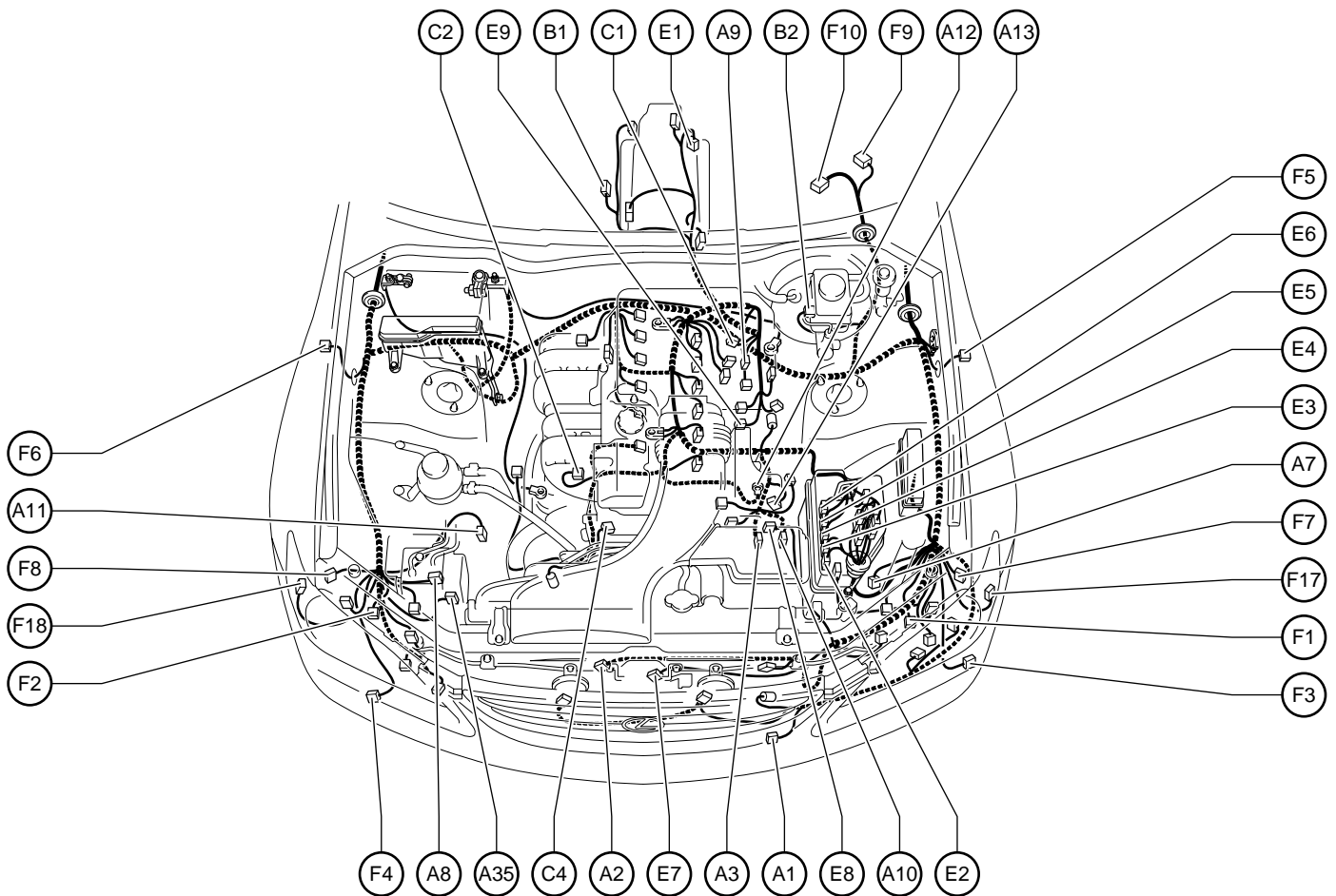


E ELECTRICAL WIRING ROUTING

Position of Parts in Engine Compartment

[LHD : 1G-FE]



- | | |
|--------------------------------------------------|--------------------------------------------------|
| A 1 A/C Ambient Temp. Sensor | E 4 Engine and ECT ECU (A/T) |
| A 2 A/C Condenser Fan Motor | E 5 Engine and ECT ECU (A/T)
Engine ECU (M/T) |
| A 3 A/C Magnetic Clutch | E 6 Engine and ECT ECU (A/T)
Engine ECU (M/T) |
| A 7 ABS Speed Sensor Front LH | E 7 Engine Hood Courtesy SW |
| A 8 ABS Speed Sensor Front RH | E 8 Engine Oil Level Sensor |
| A 9 Accel Position Sensor | E 9 Engine Oil Pressure SW |
| A10 Airbag Sensor Front LH | F 1 Front Clearance Light LH |
| A11 Airbag Sensor Front RH | F 2 Front Clearance Light RH |
| A12 Alternator | F 3 Front Fog Light LH |
| A13 Alternator | F 4 Front Fog Light RH |
| A35 ABS & BA & TRC Actuator | F 5 Front Side Turn Signal Light LH |
| B 1 Back-Up Light SW | F 6 Front Side Turn Signal Light RH |
| B 2 Brake Fluid Level Warning SW | F 7 Front Turn Signal Light LH |
| C 1 Camshaft Position Sensor | F 8 Front Turn Signal Light RH |
| C 2 Camshaft Timing Oil Control Valve | F 9 Front Window Deicer |
| C 4 Crankshaft Position Sensor | F10 Front Wiper Motor |
| E 1 ECT Solenoid | F17 Front Side Marker Light LH |
| E 2 Engine and ECT ECU (A/T)
Engine ECU (M/T) | F18 Front Side Marker Light RH |
| E 3 Engine and ECT ECU (A/T)
Engine ECU (M/T) | |