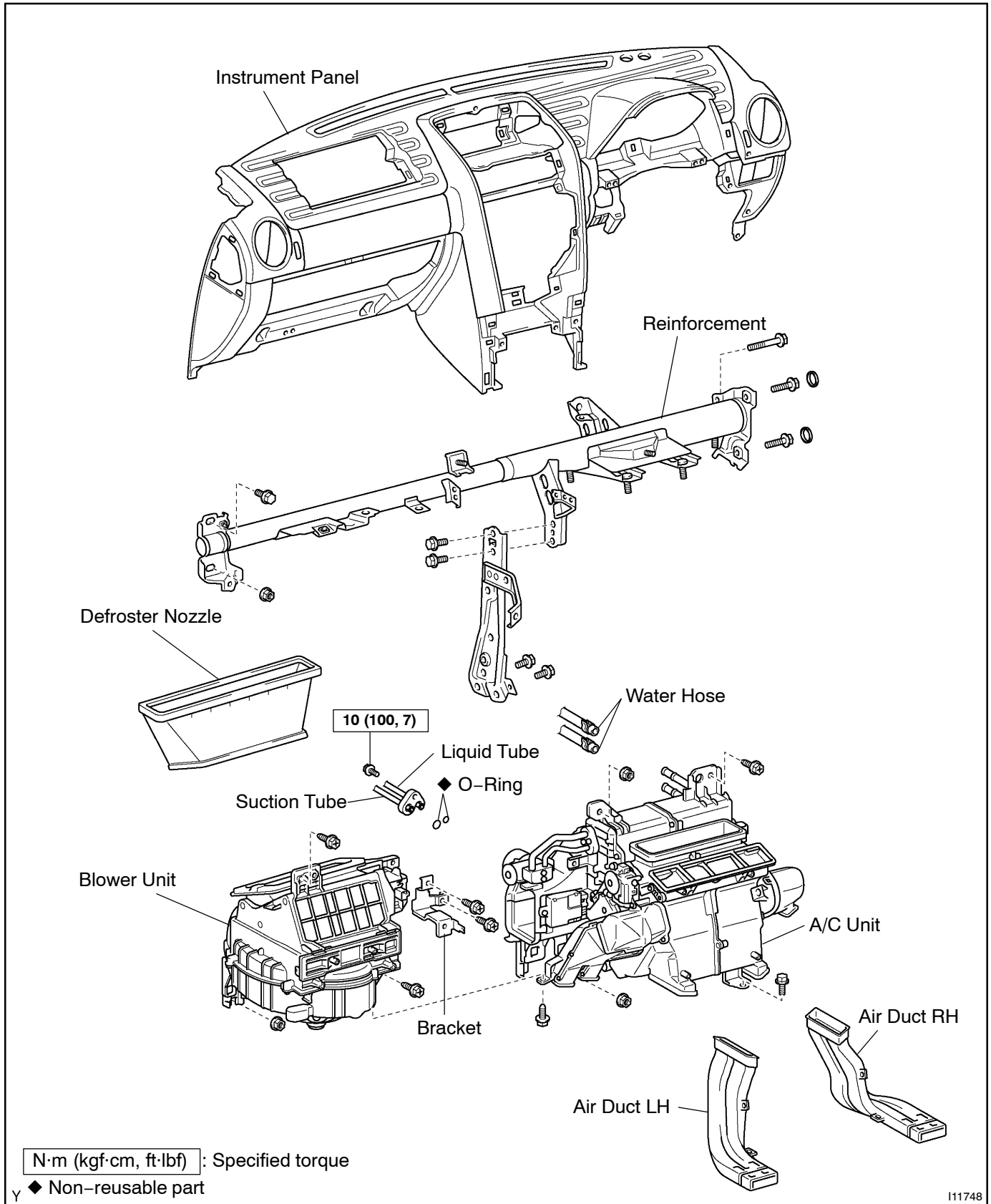


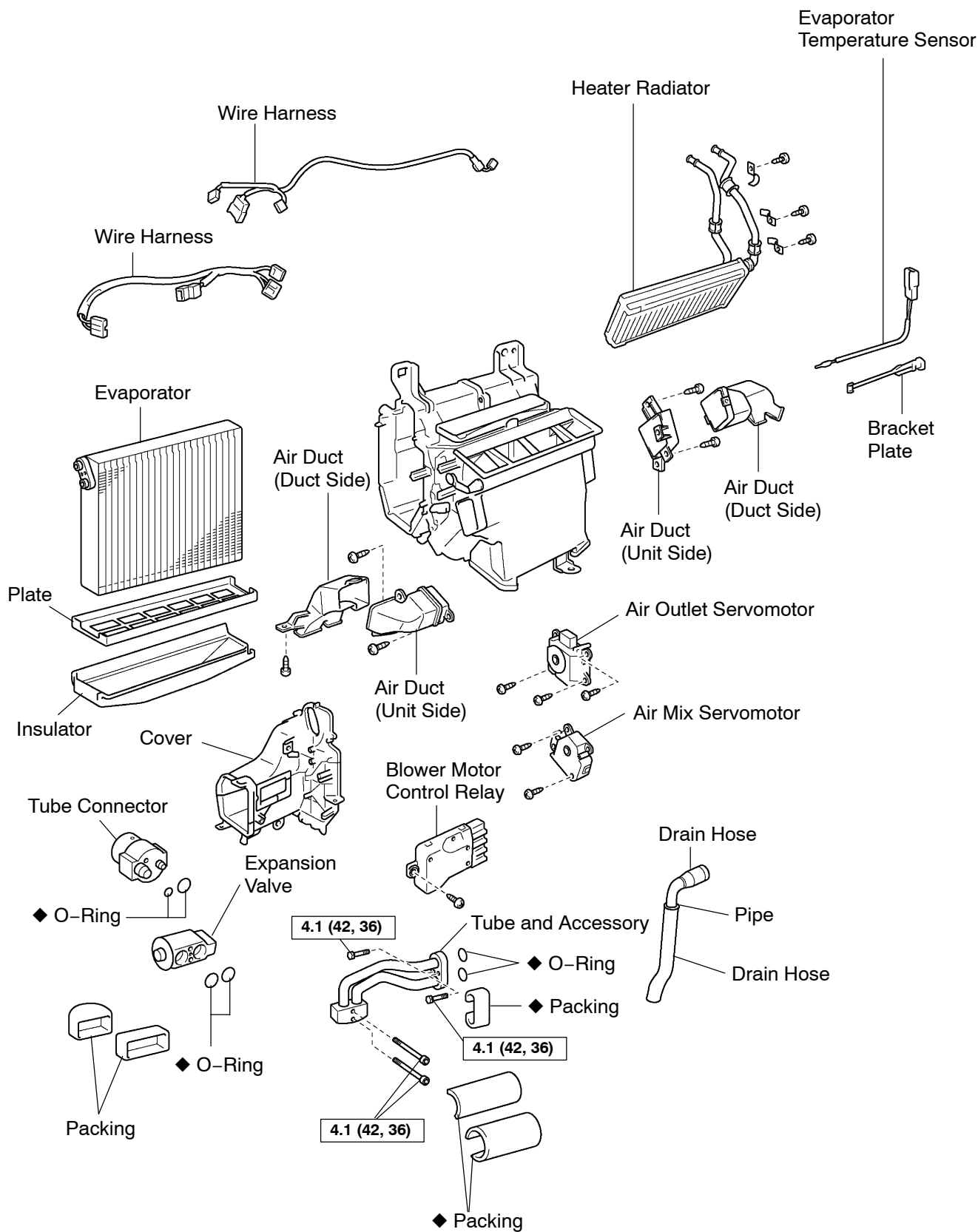
AIR CONDITIONER UNIT COMPONENTS

AC15V-02



I11748

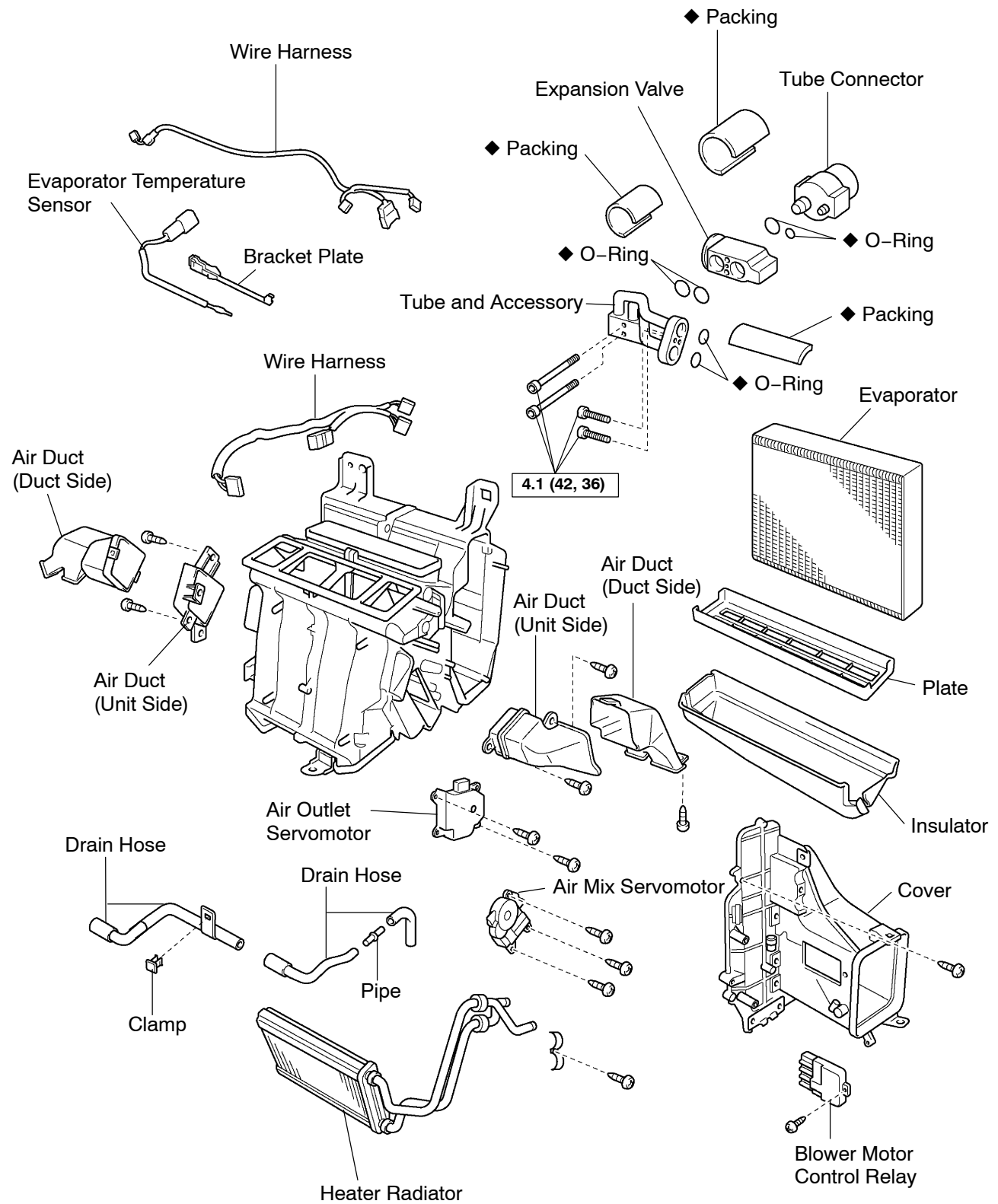
RHD models:



N·m (kgf·cm, ft·lbf) : Specified torque

◆ Non-reusable part

LHD models:



N·m (kgf·cm, ft·lbf) : Specified torque

◆ Non-reusable part