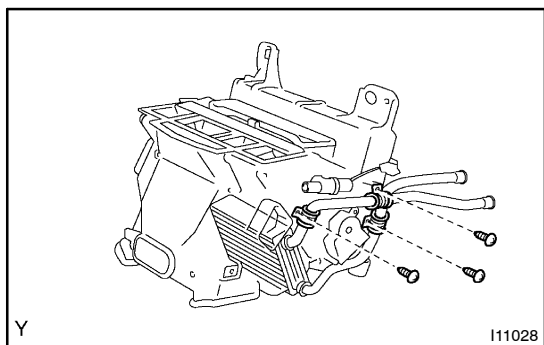
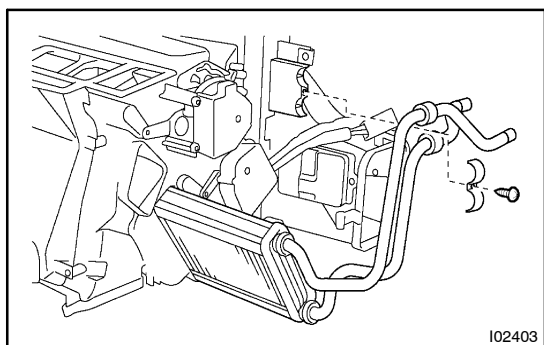


DISASSEMBLY

1. REMOVE WIRE HARNESS
2. REMOVE DRAIN HOSE



3. **RHD models:**
REMOVE HEATER RADIATOR
 - (a) Remove the 3 screws and 3 clamps.
 - (b) Pull out the heater radiator.



4. **LHD models:**
REMOVE HEATER RADIATOR
 - (a) Remove the screw and clamp.
 - (b) Pull out the heater radiator.

5. REMOVE BLOWER MOTOR CONTROL RELAY

Remove the screw and blower motor control relay.

6. REMOVE AIR MIX SERVOMOTOR

Remove the 3 screws and servomotor.

7. REMOVE AIR OUTLET SERVOMOTOR

Remove the 2 screws and servomotor.

8. REMOVE EXPANSION VALVE

- (a) Pry out the packing.

HINT:

At the time of reassembly, please refer to the following item.

Do not reuse the packing.

- (b) Using SST, remove the 2 bolts, then separate the expansion valve, and tube connector.

SST 07110-61050

Torque: 4.1 N·m (42 kgf·cm, 36 in·lbf)

HINT:

At the time of reassembly, please refer to the following item.

Lubricate 4 new O-rings with compressor oil and install them to the valve.

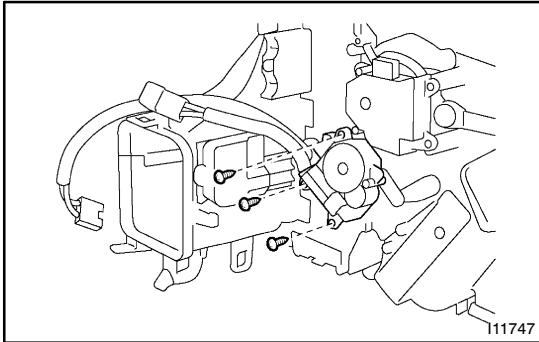
9. REMOVE EVAPORATOR TEMPERATURE SENSOR

- (a) Using a screwdriver, pull out the sensor with bracket plate.

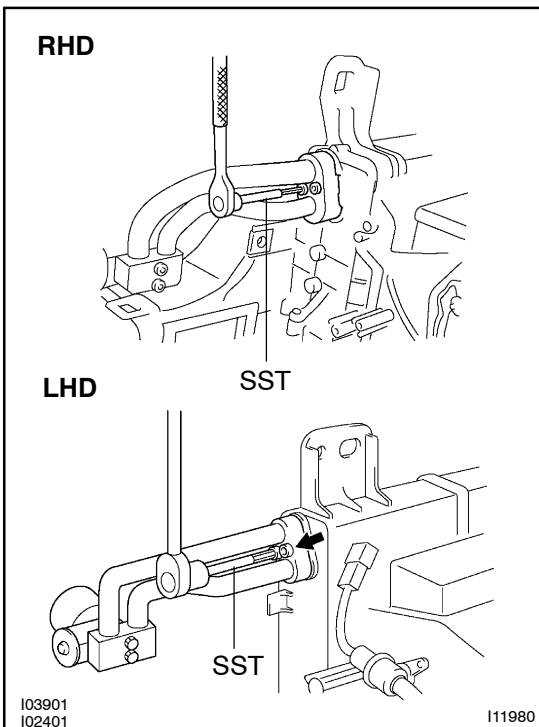
HINT:

Tape the screwdriver tip before use.

- (b) Release the 2 claws and sensor from bracket plate.

**10. REMOVE EVAPORATOR**

- (a) Remove air mix servomotor.
- (1) Disconnect the connector.
 - (2) Remove the 3 screws and servomotor.



- (b) Remove tube and accessory.

- (1) Pry out packing.

HINT:

At the time of installation, please refer to the following item.

Do not reuse the packing.

- (2) Using SST, remove the 2 bolts and the tube and accessory.

SST 07110-61050

Torque: 4.1 N·m (42 kgf·cm, 36 in·lbf)

NOTICE:

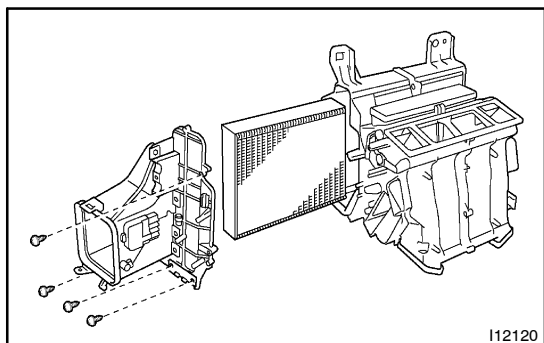
Cap the open fittings immediately to keep moisture or dirt out of the system.

HINT:

At the time of installation, please refer to the following item.

Lubricate 2 new O-rings with compressor oil and install them to the tube.

- (3) Remove screw and drain pipe.



- (c) Remove evaporator.
- (1) Remove the screw and drain hose.
 - (2) Remove the 4 screws and cover.
 - (3) Pull out the evaporator.

HINT:

At the time of installation, please refer to the following item.
If evaporator is replaced, add compressor oil to evaporator.

Add 40 cc (1.4 fl.oz.)

Compressor oil: ND-OIL 8 or equivalent

- 11. REMOVE INSULATOR FROM HEATER CASE**
- 12. REMOVE AIR DUCT**