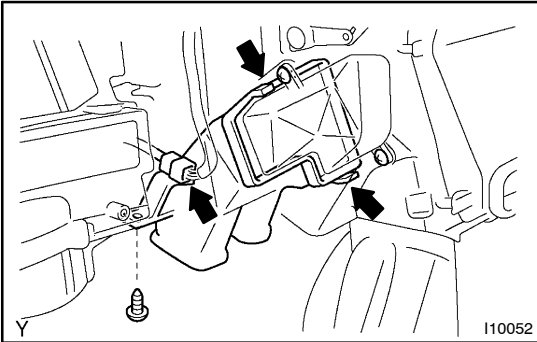


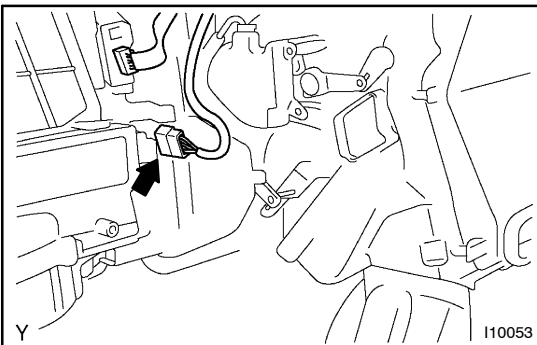
REMOVAL

1. REMOVE INSTRUMENT PANEL (See page BO-96)



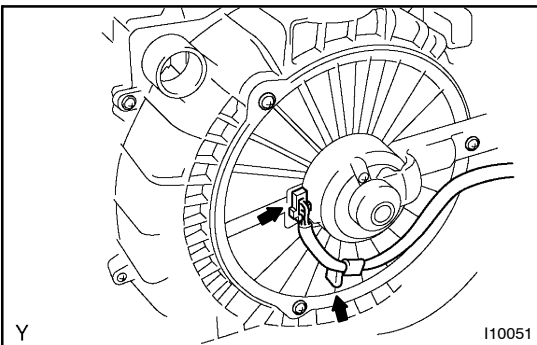
2. REMOVE AIR DUCT (DUCT SIDE)

- (a) Disconnect the connector and connector clamp.
- (b) Remove the screw.
- (c) Release the 2 claws and pull out the air duct.

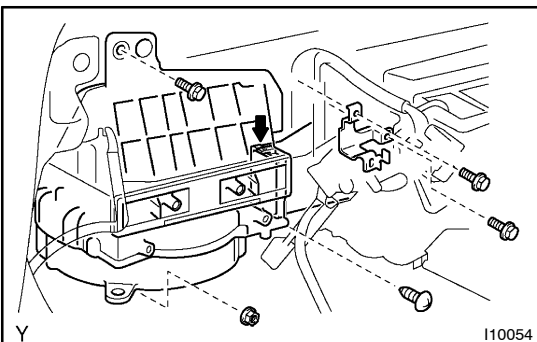


3. DISCONNECT WIRE HARNESS

- (a) Disconnect the connector and connector clamp.



- (b) Remove the wire harness clamp and disconnect the connector.



4. REMOVE BLOWER UNIT

- (a) Remove the 2 bolts and bracket.
- (b) Remove the bolt, screw and nut.
- (c) Release the claw and remove the blower unit.