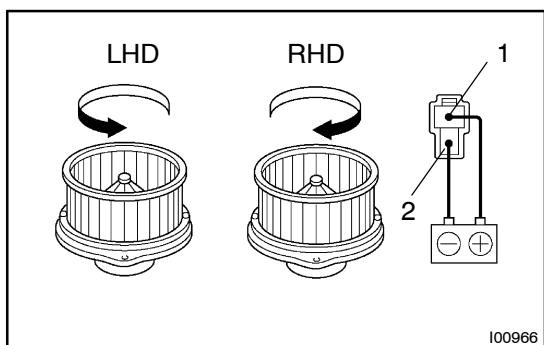


## BLOWER MOTOR INSPECTION

AC201-02

### 1. REMOVE BLOWER MOTOR

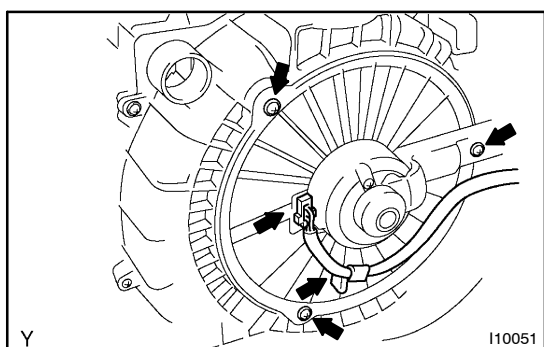
- (a) Remove the wire harness clamp and disconnect the connector.
- (b) Remove the 3 screws and blower motor.



### 2. INSPECT BLOWER MOTOR OPERATION

Connect the positive (+) lead from the battery to terminal 2 and negative (-) lead to terminal 1, then check that the motor operations smoothly.

If operation is not as specified, replace the blower motor.



### 3. INSTALL BLOWER MOTOR

- (a) Install the blower motor with the 3 screws.
- (b) Connect the connector and wire harness clamp.