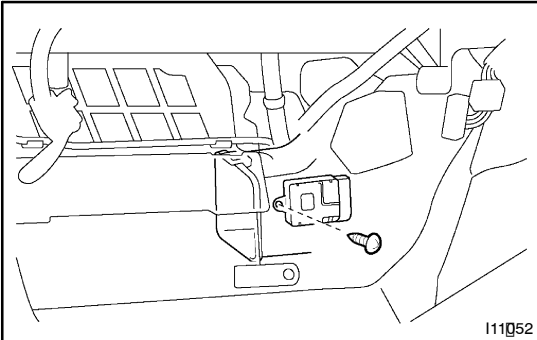


# BLOWER MOTOR CONTROL RELAY INSPECTION

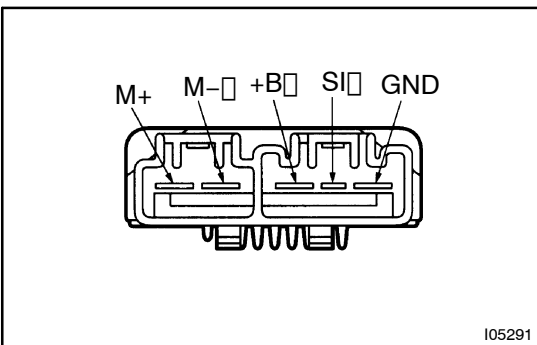
AC25T-01

1. REMOVE GLOVE COMPARTMENT DOOR  
(See page BO-96)



I11052

2. REMOVE BLOWER MOTOR CONTROL RELAY
  - (a) Disconnect the connectors.
  - (b) Remove the screw and blower motor control relay.



I05291

3. INSPECT BLOWER MOTOR CONTROL CIRCUIT

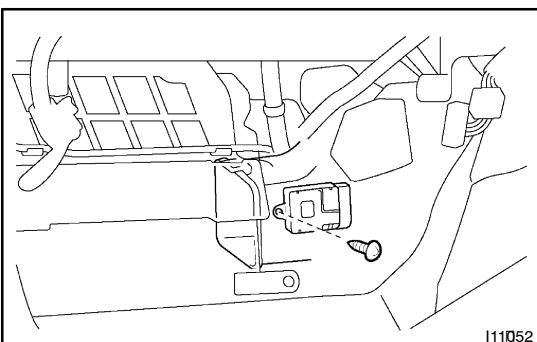
Inspect the wire harness side connector from the back side, as shown in the chart.

Test conditions:

- Turn ignition switch to ON
- Operate blower motor (High blower speed)

Terminals	Standard Value
GND → Body Ground	Continuity
+B → Body Ground	Battery voltage
+M → Body Ground	Battery voltage
M+ → M-	Battery voltage
SI → Body Ground	1 - 3 V

If resistance is not as specified, replace the blower motor control relay.



I11052

4. INSTALL BLOWER MOTOR CONTROL RELAY
  - (a) Install the blower motor control relay with the screw.
  - (b) Connect the connectors.
5. INSTALL GLOVE COMPARTMENT DOOR  
(See page BO-104)