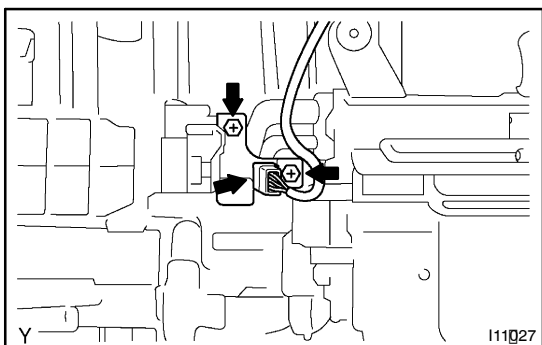


AIR INLET SERVO MOTOR INSPECTION

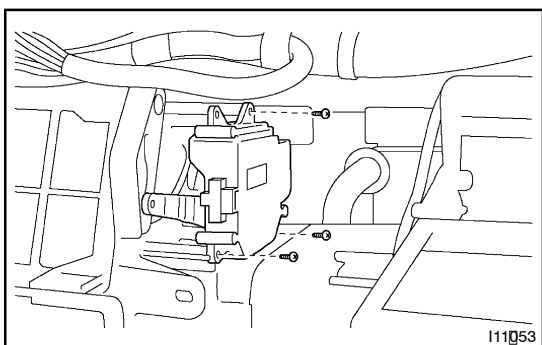
AC25U-01

1. REMOVE GLOVE COMPARTMENT DOOR
(See page BO-96)



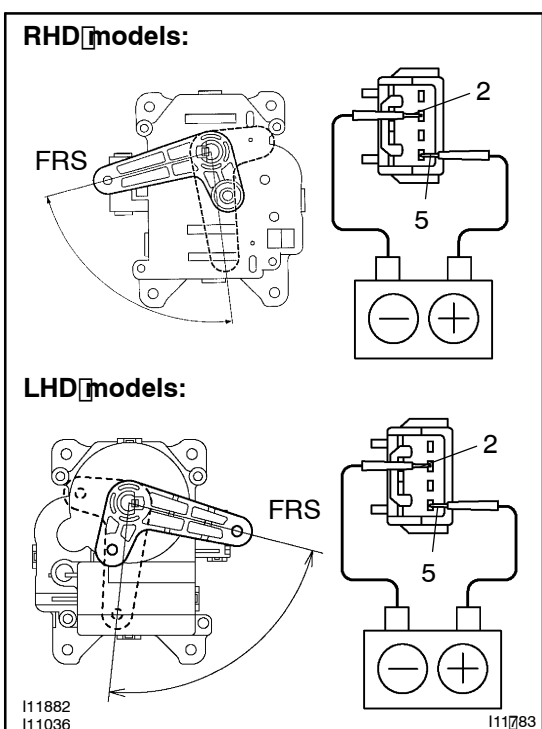
2. REMOVE BRACKET

- (a) Disconnect the wire harness clamp.
- (b) Remove the 2 bolts and bracket.



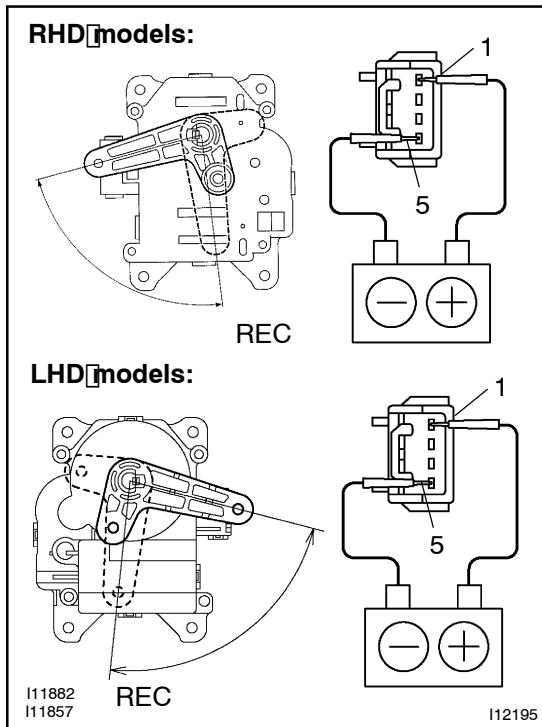
3. REMOVE AIR INLET SERVO MOTOR

- (a) Disconnect the connector.
- (b) Remove the 3 screws and servo motor.

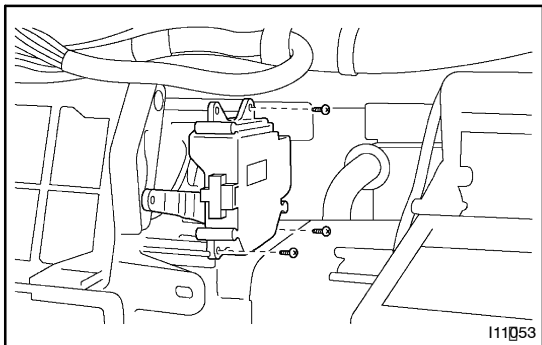


4. INSPECT AIR INLET SERVO MOTOR OPERATION

- (a) Connect the positive (+) lead from the battery to terminal 5 and negative (-) lead to terminal 2, then check that the arm turns to "FRESH" side smoothly.

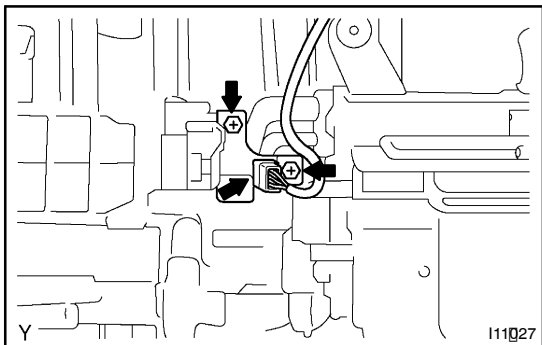


- (b) Connect the positive (+) lead from the battery to terminal 1 and negative (-) lead to terminal 5, then check that the arm turns to "RECIRC" side smoothly. If operations are not as specified, replace the servomotor.



5. INSTALL AIR INLET SERVO MOTOR

- (a) Install the servomotor with the 3 screws.
 (b) Connect the connector.



6. INSTALL BRACKET

- (a) Install the bracket with 2 bolts.
 (b) Connect the wire harness clamp.

7. INSTALL GLOVE COMPARTMENT DOOR (See page BO-104)