

SOLAR SENSOR INSPECTION

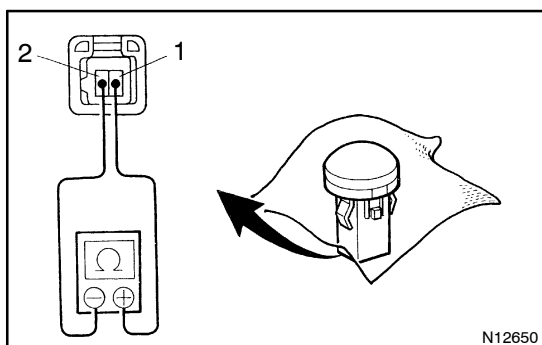
AC25X-01

1. REMOVE SOLAR SENSOR

Using a screwdriver, pull out the sensor, then disconnect the connector.

HINT:

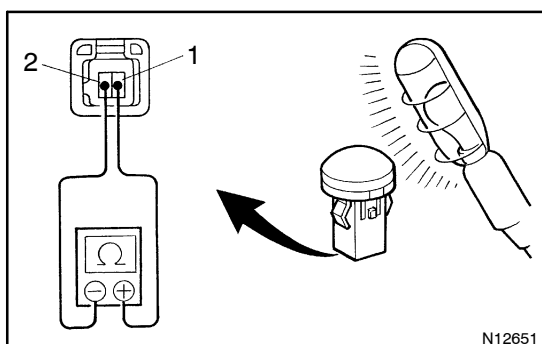
Tape the screwdriver tip before use.



2. INSPECT SOLAR SENSOR CONTINUITY

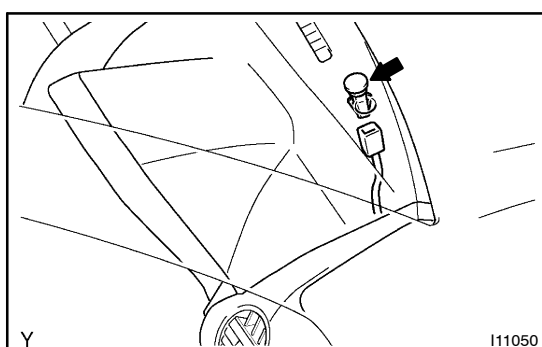
(a) Cover the sensor with a cloth, check that no continuity exists between terminals.

If continuity exists, replace the sensor.



(b) Remove the cloth from the sensor and subject the sensor to electric light, check that continuity exists between terminals.

If no continuity exists, replace the sensor.



3. INSTALL SOLAR SENSOR

Connect the connector and install the solar sensor.