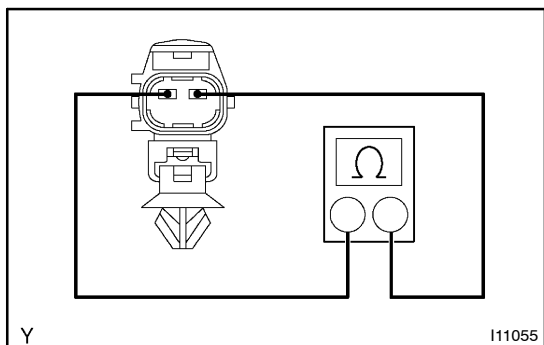


AMBIENT TEMPERATURE SENSOR INSPECTION

AC20R-02

1. REMOVE AMBIENT TEMPERATURE SENSOR

- (a) Disconnect the connector.
- (b) Using a clip remover, pull out the sensor from bumper reinforcement.

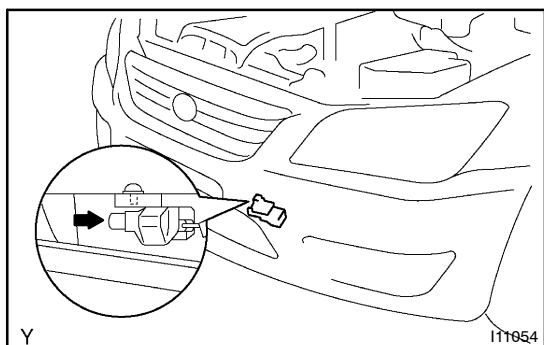


2. INSPECT AMBIENT TEMPERATURE SENSOR RESISTANCE

Measure resistance between terminals at each temperature as shown in the chart.

Temperature	Specified condition
25 °C (77 °F)	1.6 – 1.8 kΩ
50 °C (122 °F)	0.5 – 0.7 kΩ

If resistance is not as specified, replace the sensor.



3. INSTALL AMBIENT TEMPERATURE SENSOR

- (a) Push the sensor in bumper reinforcement.
- (b) Connect the connector.