

CONDENSER FAN ON-VEHICLE INSPECTION

AC173-02

1. INSPECT CONDENSER FAN OPERATION

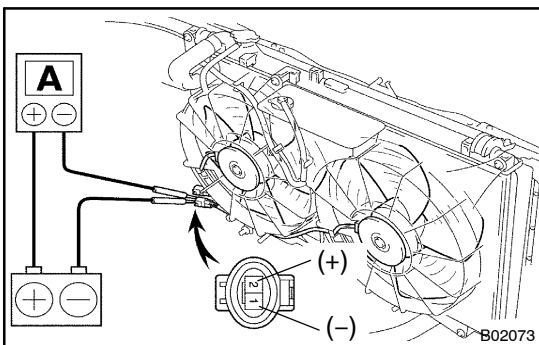
Inspect the fan operation, as shown in the chart below.

Test conditions:

- Ignition switch ON
- Blower speed control switch position "HI"
- Temperature control dial at "MAX. COOL" position
- Install manifold gauge set"
- A/C switch ON

Condition	Fan operation (Fan speed)
Engine coolant temperature 91°C (196 °F) or below	Rotate (Low speed)
Engine coolant temperature 100°C (212 °F) or above	Rotate (High speed)
Refrigerant pressure is less than 1,520 kPa (15.5 kgf-cm ² , 220 psi)	Rotate (Low speed)
Refrigerant pressure is 1,520 kPa (15.5 kgf-cm ² , 220 psi) or above	Rotate (High speed)

If operation is not as specified, proceed to the next inspection.



2. INSPECT CONDENSER FAN MOTOR OPERATION

- Disconnect the fan connector.
- Connect battery and ammeter.
- Check that the fan rotates smoothly, and then check the reading on the ammeter.

Specified amperage: 8.5 – 11.5 A at 20 °C (68 °F)

- If operation is not as specified, replace the fan motor.
- If operation is as specified, check the pressure switch, cooling fan relays and engine coolant temp. switch.