

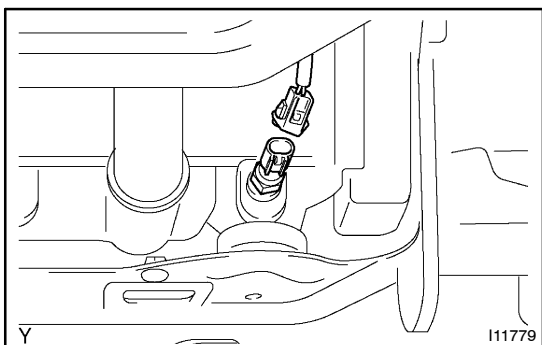
WATER TEMPERATURE SWITCH INSPECTION

AC288-01

1. REMOVE ENGINE UNDER COVER
2. DRAIN ENGINE COOLANT FROM RADIATOR

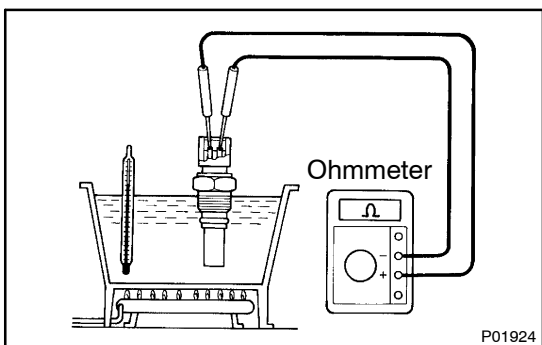
HINT:

It is not necessary to drain out all coolant



3. REMOVE WATER TEMPERATURE SWITCH

- (a) Disconnect the connector.
- (b) Remove the water temperature switch.
- (c) Remove the O-ring from the switch.



4. INSPECT WATER TEMPERATURE SWITCH

- (a) Using an ohmmeter, check that no continuity exists between the terminals when the coolant temperature is above 100 °C (212 °F).

If continuity exists, replace the switch.

- (b) Using an ohmmeter, check that continuity exists between the terminals when the coolant temperature is below 91 °C (196 °F).

If there no continuity exists, replace the switch.

5. INSTALL WATER TEMPERATURE SWITCH

- (a) Install the new O-ring to the switch.
- (b) Install the water temperature switch.

Torque: 7.4 N·m (75 kgf·cm, 65 in·lbf)

6. FILL WITH ENGINE COOLANT TO RADIATOR
7. INSTALL ENGINE UNDER COVER