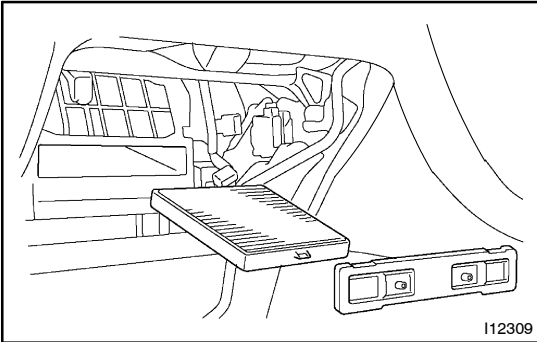


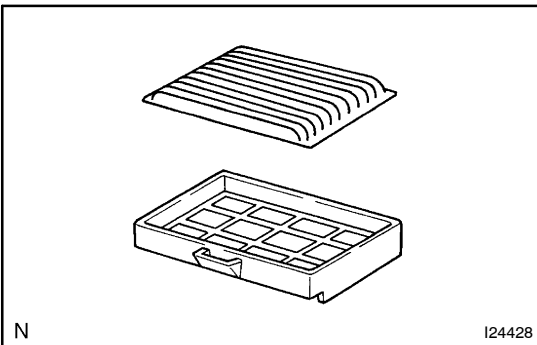
AIR REFINER FILTER REMOVAL

1. REMOVE GLOVE COMPARTMENT DOOR
(See [page BO-96](#))



2. REMOVE AIR REFINER FILTER

- (a) Remove the cover.
- (b) Pull out the air refiner filter.



- (c) Remove the filter from the frame.