

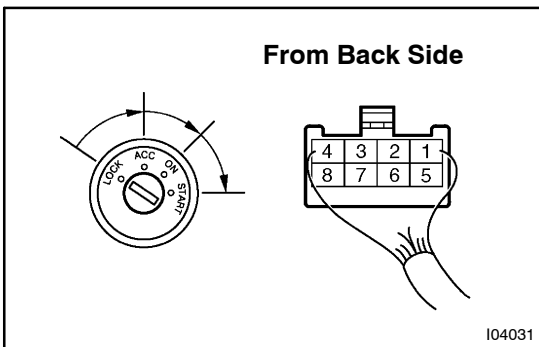
I11308

INSPECTION

1. INSPECT IGNITION SWITCH CONTINUITY

Switch position	Tester connection	Specified condition
LOCK	-	No continuity
ACC	2 - 3	Continuity
ON	2 - 3 - 4 6 - 7	Continuity
START	1 - 2 - 4 6 - 7 - 8	Continuity

If continuity is not as specified, replace the switch.



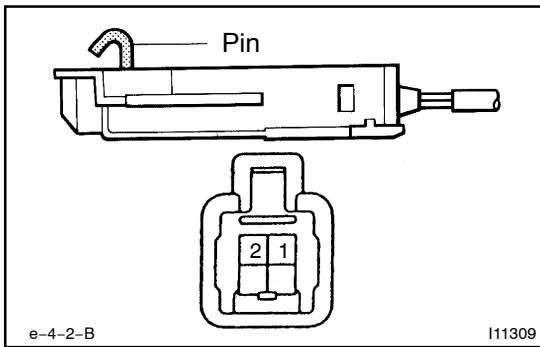
I04031

2. INSPECT IGNITION SWITCH CIRCUIT

Connect the switch connector and inspect the connector on wire harness side from the back side, as shown.

Tester connection	Condition	Specified condition
2 - Ground	Constant	Battery voltage
3 - Ground	Ignition switch ACC or ON	Battery voltage
4 - Ground	Ignition switch ON	Battery voltage
6 - Ground	Ignition switch ON or START	Battery voltage
7 - Ground	Constant	Battery voltage
8 - Ground	Ignition switch START	Battery voltage

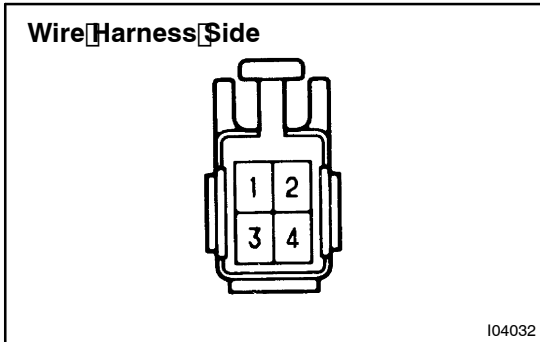
If circuit is not as specified, inspect the circuits connected to other parts.



3. INSPECT KEY UNLOCK WARNING SWITCH CONTINUITY

Switch position	Tester connection	Specified condition
OFF (Key removed)	-	No continuity
ON (Key set)	1 - 2	Continuity

If continuity is not as specified, replace the switch.



4. INSPECT KEY UNLOCK WARNING SWITCH CIRCUIT (See page DI-575)

Connect the switch connector and inspect the connector on wire harness side from the back side, as shown.

Tester connection	Condition	Specified condition
1 - Ground	Constant	Continuity

If circuit is not as specified, inspect the circuits connected to other parts.