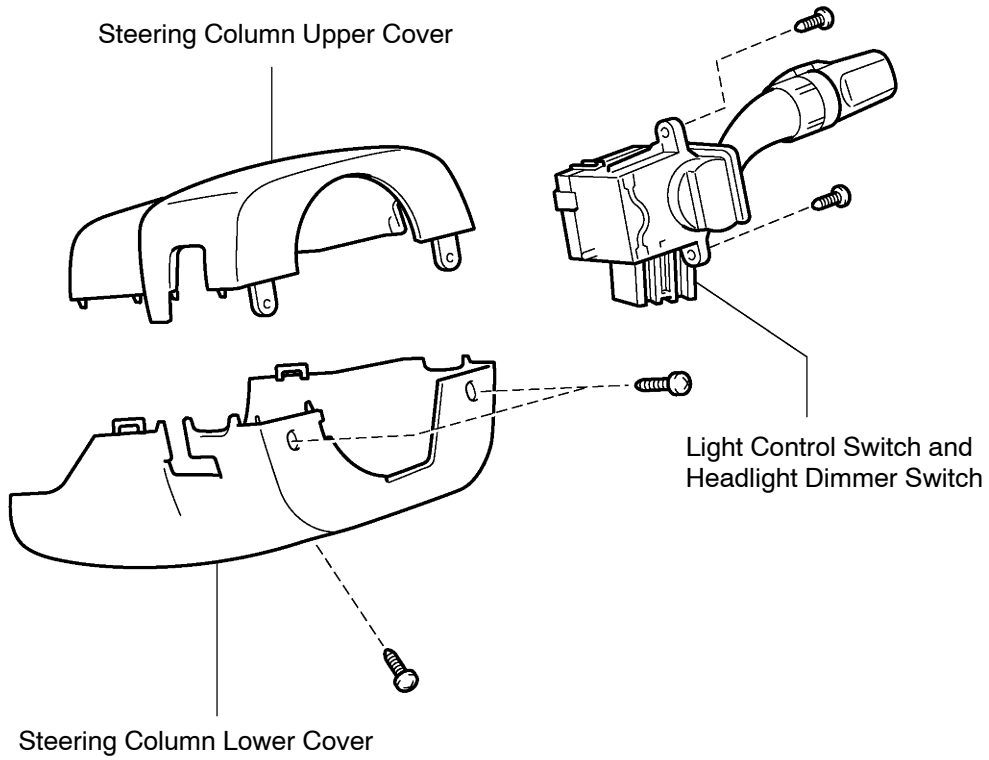


COMPONENTS

Reference RHD models



H

