

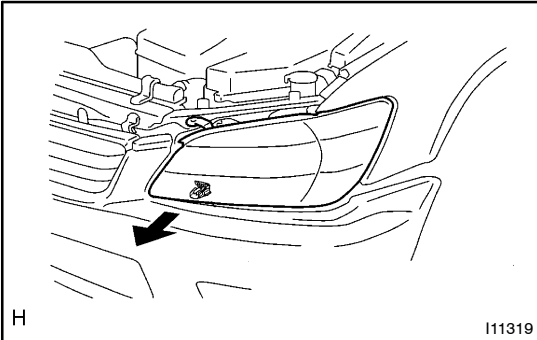
## REMOVAL

### 1. REMOVE HEADLIGHT

#### HINT:

Follow the same procedure for RH as for LH.

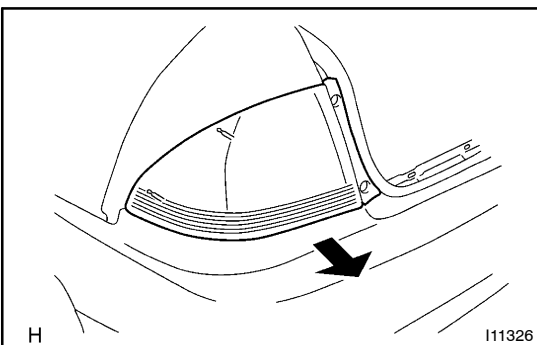
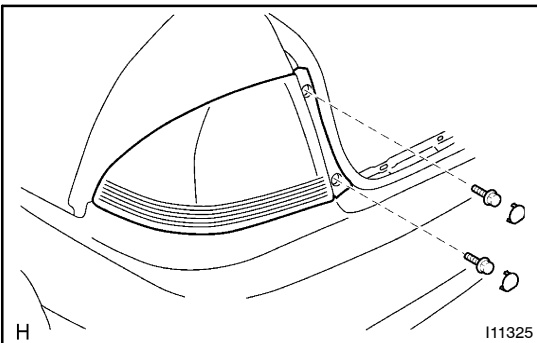
- (a) Remove a part of LH front fender liner.
- (b) Remove a part of front bumper cover  
(See [page BO-4](#))
- (c) Remove the bolt, 2 nuts and 2 clips.
- (d) Lift up the front bumper and pull the headlight assembly towards the front of the vehicle, and disconnect the engagement of the headlight assembly.
- (e) Install LH headlight assembly.
- (f) Install a part of front bumper cover.
- (g) Install a part of front fender liner.
- (h) Inspect and adjust optical axis of headlight  
(See [page BE-39](#)).



### 2. REMOVE REAR COMBINATION LIGHT

#### HINT:

- Installation is in the reverse order of removal. Only if there is a specified procedure for installation it is shown.
  - Follow the same procedure for RH as for LH.
- (a) Remove luggage compartment trim cover No.2  
(See [page BO-40](#)).
  - (b) Remove luggage compartment trim cover RR.
  - (c) Remove a part of LH luggage compartment trim side cover.
  - (d) Remove the 2 rear light covers and 2 bolts.
  - (e) Pull the pin toward the rear of the vehicle, and disconnect the engagement of 2 pins.
  - (f) From the inside of the luggage room, separate the connector and disconnect the LH rear combination light assembly.



### 3. REMOVE REAR COMBINATION BULB

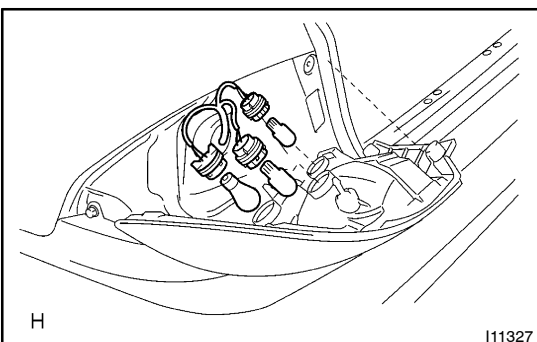
#### HINT:

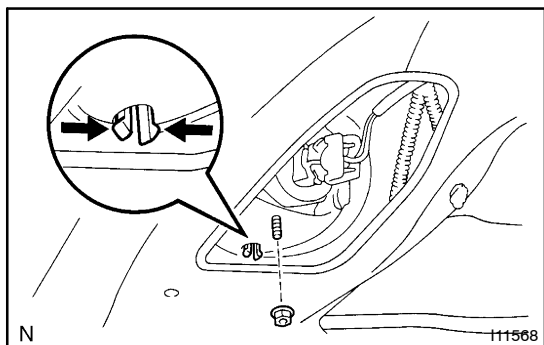
- Installation is in the reverse order of removal. Only if there is a specified procedure for installation it is shown.
  - Follow the same procedure for RH as for LH.
- (a) Remove a part of LH combination light assembly.

#### HINT:

Remove the light unit from only the outside of the vehicle.

- (b) Remove the bulb sockets and remove the bulbs.

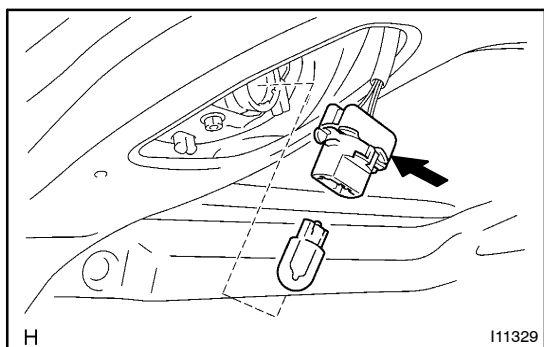




#### 4. REMOVE REAR LAMP ASSEMBLY

##### HINT:

- Installation is in the reverse order of removal. Only if there is a specified procedure for installation it is shown.
  - Follow the same procedure for RH as for LH.
- (a) Remove a part of luggage compartment door trim.
  - (b) Remove the nut.
  - (c) Compress the claw to disconnect the engagement as shown in the illustration.
  - (d) Separate the connector and remove the rear light assembly.



#### 5. REMOVE REAR LAMP BULB

##### HINT:

- Installation is in the reverse order of removal. Only if there is a specified procedure for installation it is shown.
- (a) Remove a part of luggage compartment door trim.
  - (b) Remove the bulb socket and bulb.