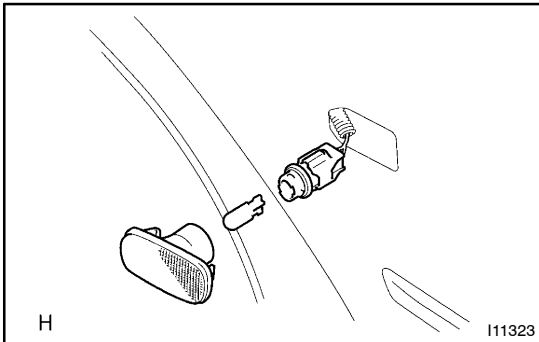


REMOVAL

1. REMOVE SIDE TURN SIGNAL LIGHT ASSEMBLY

HINT:

- Installation is in the reverse order of removal. Only if there is a specified procedure for installation it is shown.
 - Follow the same procedure for RH as for LH.
- (a) Pull off the LH side turn signal light assembly as shown in the illustration, and remove it.
 - (b) Separate the connector.



2. REMOVE SIDE TURN SIGNAL LIGHT BULB

HINT:

- Installation is in the reverse order of removal. Only if there is a specified procedure for installation it is shown.
 - Follow the same procedure for RH as for LH.
- (a) Remove side turn signal light assembly
 - (b) Remove the bulb socket and bulb.