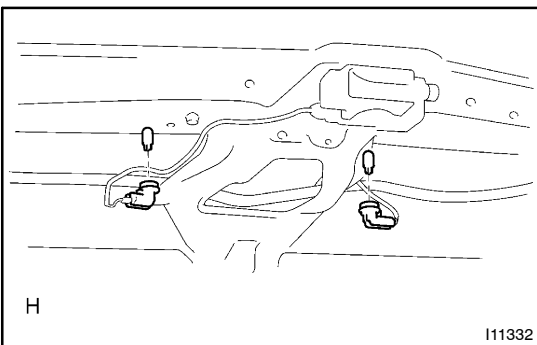
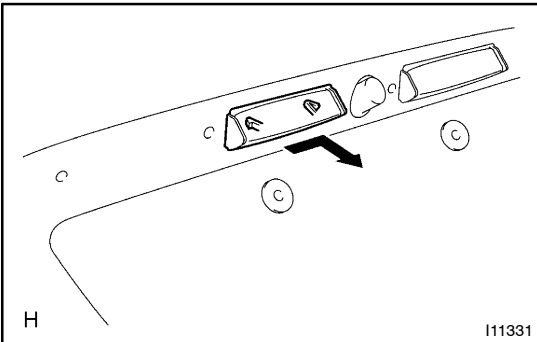


REMOVAL

1. REMOVE LICENSE PLATE LIGHT

HINT:

- Installation is in the reverse order of removal. Only if there is a specified procedure for installation it is shown.
 - Follow the same procedure for RH as for LH.
- (a) Remove a part of luggage compartment door trim.
 - (b) Remove the 4 nuts.
 - (c) Remove luggage compartment door outer garnish (See page BO-40).
 - (d) Disconnect the connector.
 - (e) Pull the claw towards the inside of the vehicle as shown in the illustration, disconnect the engagement of 2 claws, and remove the license plate light assembly.



2. REMOVE LICENSE PLATE BULB

HINT:

Installation is in the reverse order of removal. Only if there is a specified procedure for installation it is shown.

- (a) Remove a part of luggage compartment door trim.
- (b) Disconnect the bulb sockets and remove the bulbs.