

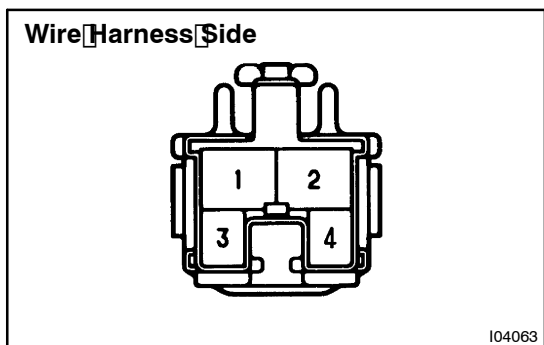
I04062

INSPECTION

1. INSPECT STOP LIGHT SWITCH CONTINUITY

Switch position	Tester connection	Specified condition
Switch pin free (Pedal depressed)	-	No continuity
Switch pin pushed in (Pedal released)	1 - 2	Continuity
Switch pin free (Pedal depressed)	-	No continuity
Switch pin pushed in (Pedal released)	3 - 4	Continuity

If continuity is not as specified, replace the switch.



I04063

2. INSPECT STOP LIGHT SWITCH CIRCUIT (See page DI-488)

Disconnect the connector from the switch and inspect the connector on the wire harness side, as shown.

Tester connection	Condition	Specified condition
2 - Ground	Constant	Battery voltage

If circuit is not as specified, inspect the power source or wire harness.