

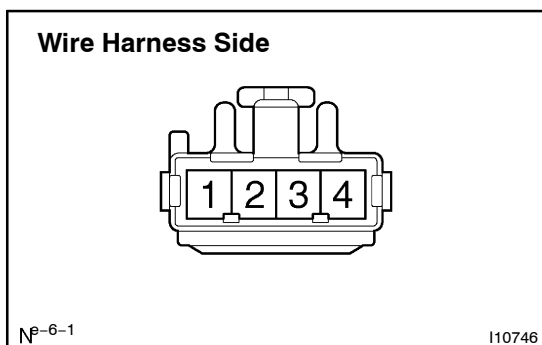
101686

## INSPECTION

### 1. INSPECT HEADLIGHT CLEANER SWITCH CONTINUITY

| Switch position      | Tester connection | Specified condition |
|----------------------|-------------------|---------------------|
| OFF                  | -                 | No continuity       |
| ON                   | 1 - 4             | Continuity          |
| Illumination circuit | 2 - 3             | Continuity          |

If continuity is not as specified, replace the switch.

N<sup>o</sup>-6-1

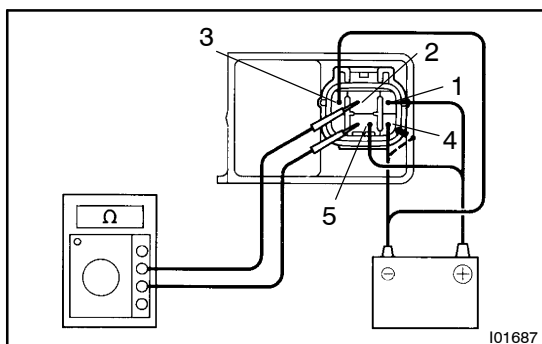
110746

### 2. INSPECT HEADLIGHT CLEANER SWITCH CIRCUIT

Disconnect the switch connector and inspect the connector on wire harness side, as shown.

| Tester connection | Condition     | Specified condition |
|-------------------|---------------|---------------------|
| 1 - Ground        | Headlight ON  | Continuity          |
| 1 - Ground        | Headlight OFF | No continuity       |

If circuit is not as specified, inspect the circuits connected to other parts.

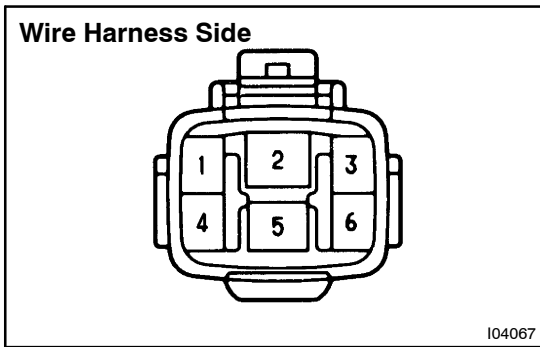


101687

### 3. INSPECT HEADLIGHT CLEANER RELAY OPERATION

- Check that no continuity exists between terminals 2 and 5.
- Connect the positive (+) lead from the battery to terminals 1 and 5, and the negative (-) lead to terminal 3.
- Connect the negative (-) lead from the battery to terminal 4, and check that continuity exists between terminals 2 and 5 for 0.9 - 1.1 seconds, then no continuity exists.

If operation is not as specified, replace the motor.

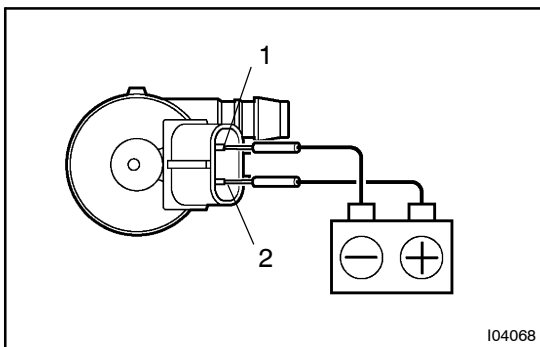


**4. INSPECT HEADLIGHT CLEANER RELAY CIRCUIT**

Disconnect the connector from the relay and inspect the connector on wire harness side, as shown.

| Tester connection        | Condition  | Specified condition |
|--------------------------|--|---------------------|
| 2 - Ground<br>3 - Ground | Constant   | Continuity          |
| 4 - Ground               | Ignition switch ON, light control switch in HEAD and cleaner switch OFF  | No continuity       |
| 4 - Ground               | Ignition switch ON, light control switch in HEAD and cleaner switch ON or daytime running light system operating | Continuity          |
| 1 - Ground               | Ignition switch OFF or ACC   | No voltage          |
| 1 - Ground               | Ignition switch ON   | Battery voltage     |
| 5 - Ground               | Constant   | Battery voltage     |

If circuit is not as specified, inspect the circuits connected to other parts.



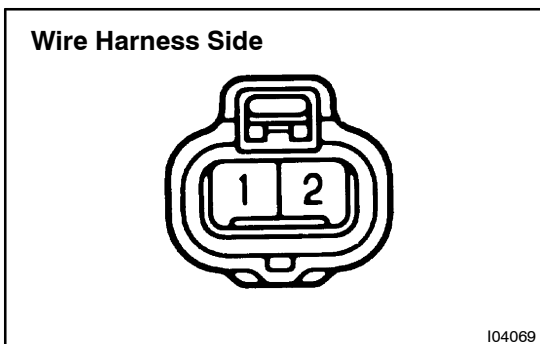
**5. INSPECT HEADLIGHT CLEANER MOTOR OPERATION**

Connect the positive (+) lead from the battery to terminal 2 and the negative (-) lead to terminal 1, check that the motor operates.

**NOTICE:**

**These tests must be performed quickly (within 20 seconds) to prevent the coil from burning out.**

If operation is not as specified, replace the motor.



**6. INSPECT HEADLIGHT CLEANER MOTOR CIRCUIT**

Disconnect the connector from the cleaner motor and inspect the connector on wire harness side, as shown.

## BODY ELECTRICAL - HEADLIGHT CLEANER SYSTEM

| Tester connection | Condition | Specified condition |
|-------------------|-----------|---------------------|
| 2 - Ground        | Constant  | Continuity          |

If circuit is not as specified, inspect the circuits connected to other parts.