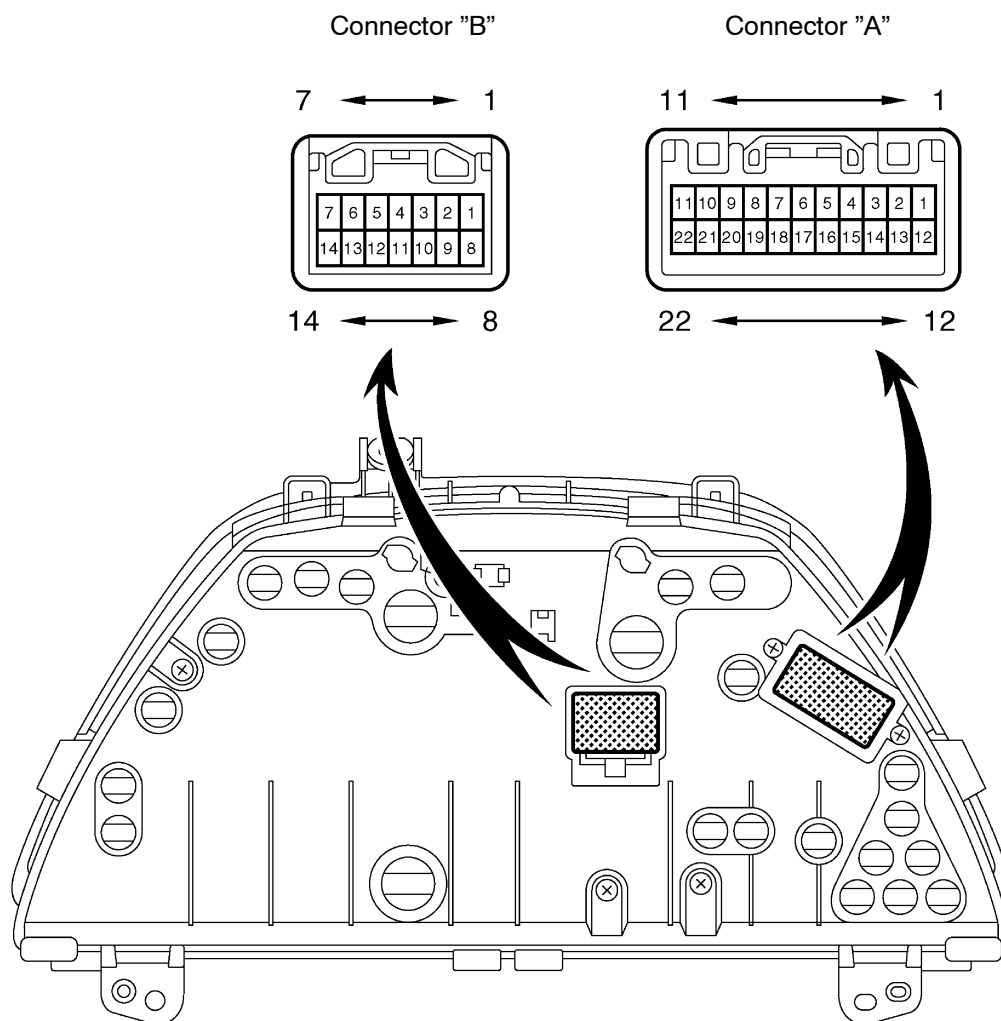
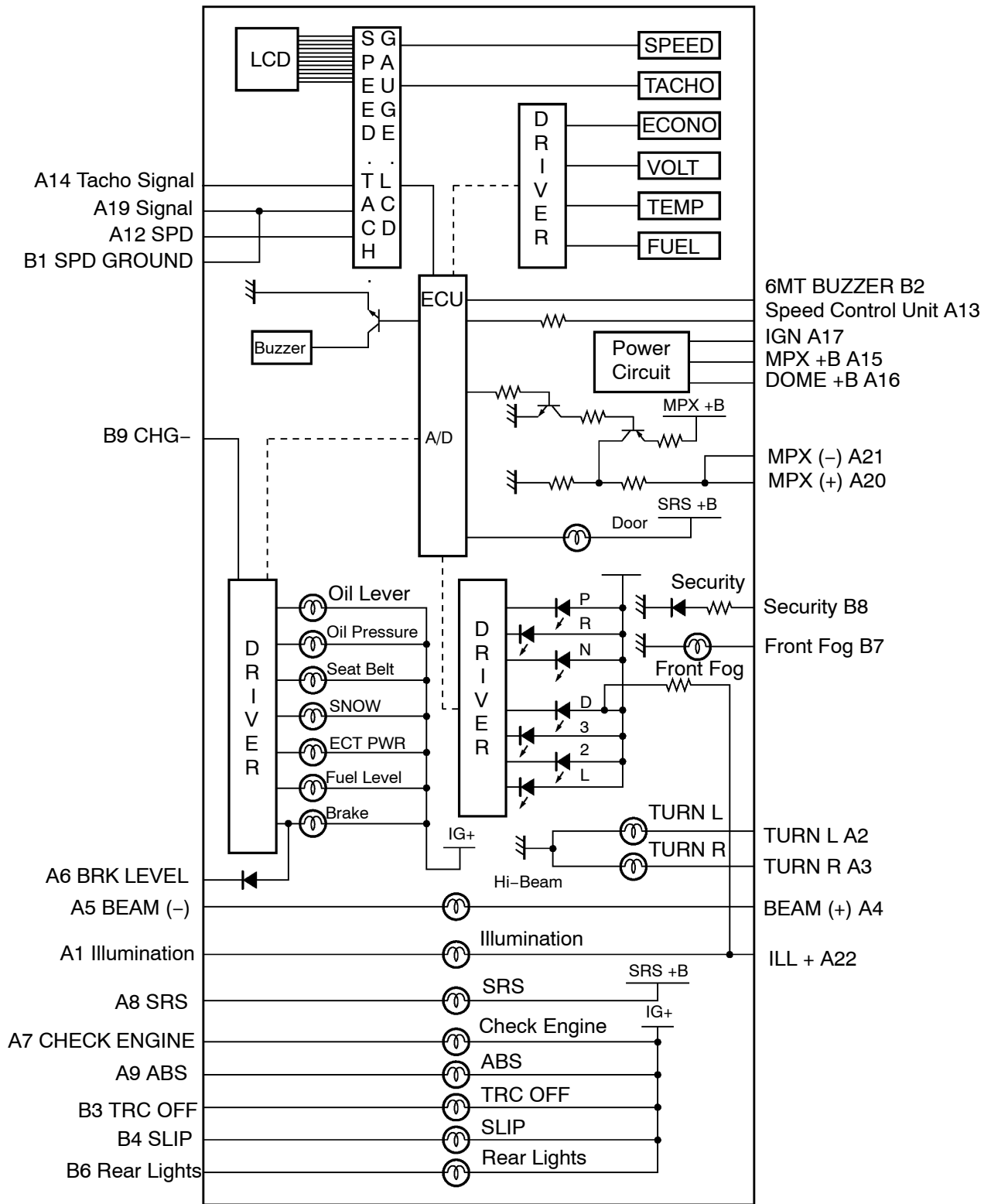


CIRCUIT





BODY ELECTRICAL - COMBINATION METER

No.		Wiring connector side
A	1	Rheostat light control volume
	2	Turn signal light switch (Left)
	3	Turn signal light switch (Right)
	4	HEAD Fuse
	5	Headlight dimmer switch
	6	Brake fluid level warning switch
	7	Engine and ECT ECU
	8	Airbag sensor assembly
	9	ABS ECU
	12	Speed sensor (M/T) or ABS ECU (A/T)
	13	Speed control unit
	14	Engine and ECT ECU
	15	MPX+B Fuse
	16	DOME Fuse
17	GAUGE Fuse	
18	Power ground	
19	Signal ground	
20	Multiplex communication circuit (MPX+)	
21	Multiplex communication circuit (MPX-)	
22	TAIL Fuse	
B	1	Speed signal ground (M/T vehicle only)
	2	6M/T reverse buzzer (M/T vehicle only)
	3	ABS and TRC ECU
	4	ABS and TRC ECU
	5	Light failure relay
	6	Light failure relay
	7	Front fog light switch
	8	Transponder key ECU
	9	Daytime running light relay