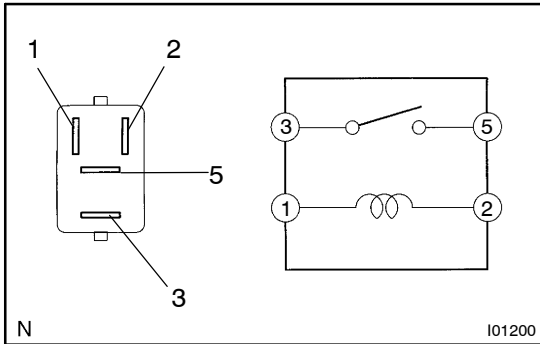


INSPECTION

1. INSPECT DEFOGGER SWITCH (See page AC-91)

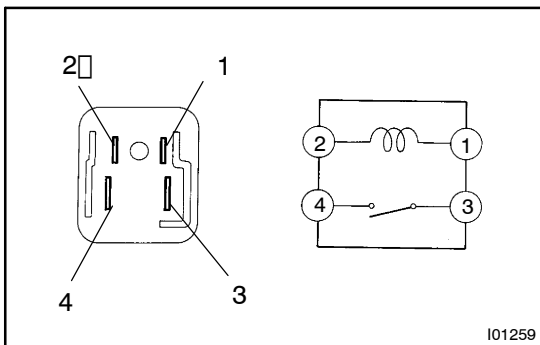


2. RHD models:

INSPECT DEFOGGER RELAY CONTINUITY

Condition	Tester connection	Specified condition
Constant	1 - 2	Continuity
Apply B+ between terminals 3 and 5.	3 - 5	Continuity

If continuity is not as specified, replace the relay.



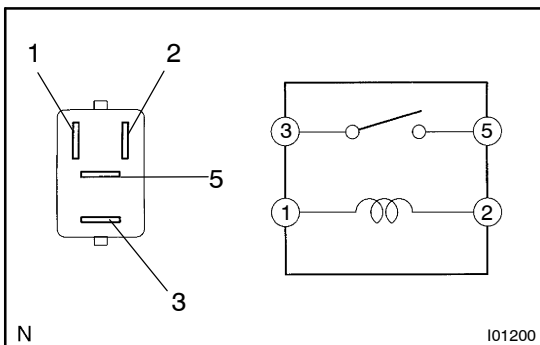
3. LHD models:

INSPECT DEFOGGER RELAY CONTINUITY

Condition	Tester connection	Specified condition
Constant	1 - 2	Continuity
Apply B+ between terminals 3 and 4.	3 - 4	Continuity

If continuity is not as specified, replace the relay.

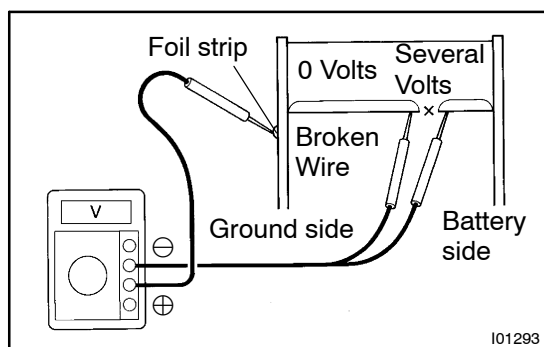
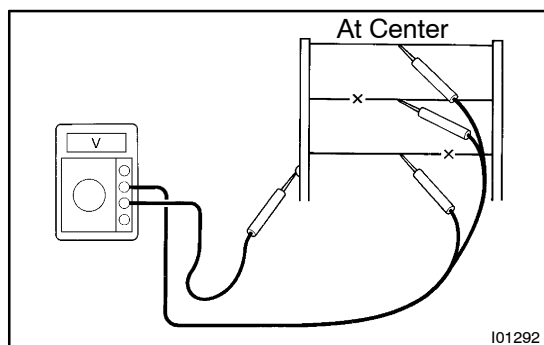
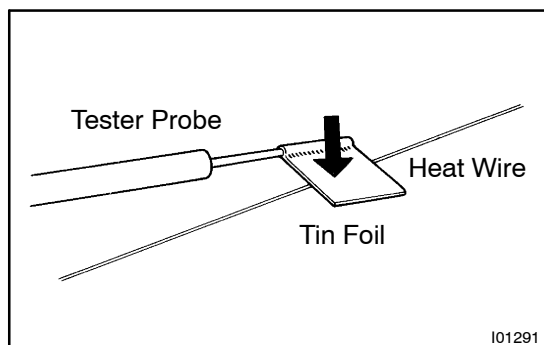
4. INSPECT DEFOGGER RELAY CIRCUIT (See page DI-605)



5. INSPECT MIRROR DEFOGGER RELAY CONTINUITY

Condition	Tester connection	Specified condition
Constant	1 - 2	Continuity
Apply B+ between terminals 1 and 2.	3 - 5	Continuity

If continuity is not as specified, replace the relay.



6. INSPECT DEFOGGER WIRE

NOTICE:

- When cleaning the glass, use a soft, dry cloth, and wipe the glass in the direction of the wire. Take care not to damage the wires.
- Do not use detergents or glass cleaners with abrasive ingredients.
- When measuring voltage, wrap a piece of tin foil around the tip of the negative probe and press the foil against the wire with your finger, as shown.

- Turn the ignition switch ON.
- Turn the defogger switch ON.
- Inspect the voltage at the center of each heat wire, as shown.

Voltage	Criteria
Approx. 5V	Okay (No break in wire)
Approx. 10V or 0V	Broken wire

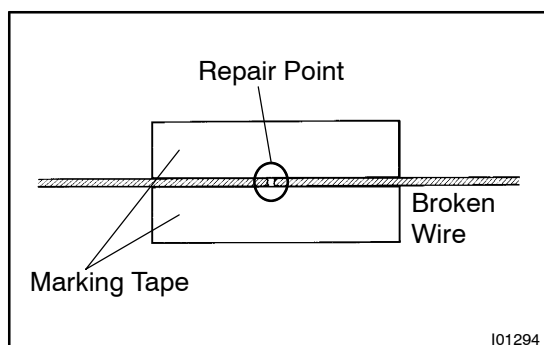
HINT:

If there is approximately 10 V, the wire is broken between the center of the wire and the positive (+) end. If there is no voltage, the wire is broken between the center of the wire and ground.

- Place the voltmeter positive (+) lead against the defogger wire on the battery side.
- Place the voltmeter negative (-) lead with the foil strip against the wire on the ground side.
- Slide the positive (+) lead from battery to ground side.
- The point where the voltmeter deflects from several V to zero V is the place where the defogger wire is broken.

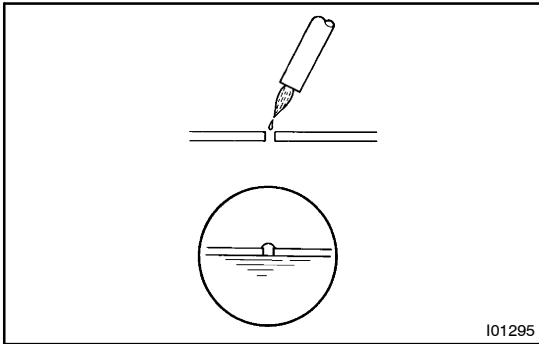
HINT:

If the heat wire is not broken, the voltmeter indicates 0 V at the positive (+) end of the heat wire but gradually increases to about 12 V as the meter probe moves to the other end.

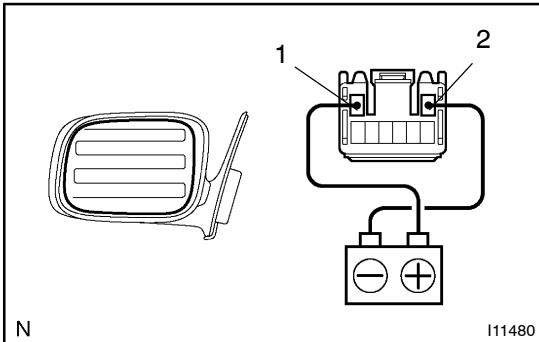


7. IF NECESSARY, REPAIR DEFOGGER WIRE

- Clean the broken wire tips with grease, wax and silicone remover.
- Place the masking tape along both sides of the wire for repair.
- Thoroughly mix the repair agent (Dupont paste No. 4817).



- (d) Using a fine tip brush, apply a small amount of the agent to the wire.
- (e) After a few minutes, remove the masking tape.
- (f) Do not repair the defogger wire for at least 24 hours.



8. w/ Mirror heater:

INSPECT MIRROR DEFOGGER OPERATION

- (a) Connect the positive (+) lead from the battery to terminal 2 and the negative (-) lead to terminal 1.
- (b) Check that the mirror becomes warm.

HINT:

It will take a short time for the mirror to become warm.