

INSPECTION

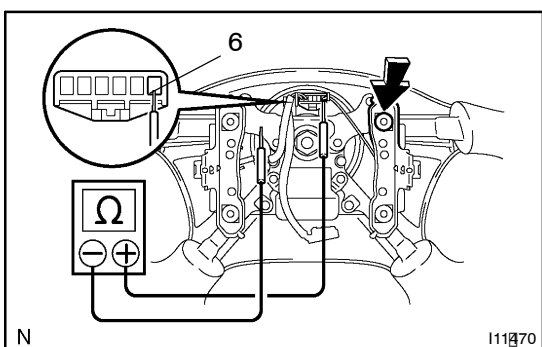
1. INSPECT HORN SWITCH

- Disconnect the negative (-) terminal from the battery.
- Remove the left and right covers from the steering wheel.
- Using a torx socket wrench, loosen the 2 bolts.
- Pull up the horn pad and place it on the steering column, as shown.

HINT:

Do not disconnect the connector from the horn pad.

- Disconnect the connector from the slip ring.



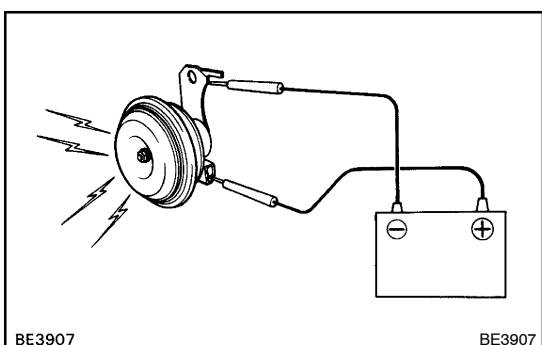
- Check that no continuity exists between terminal 6 of the connector and body ground.
- Check that continuity exists between terminal 6 of the connector and body ground when the horn contact plate is pressed against the steering spoke assembly.

If continuity is not as specified, repair or replace the steering wheel or wire harness as necessary.

- Install the horn pad in place and using a torx socket wrench, torque the 2 bolts.

Torque: 7.1 N·m (72 kgf·cm, 62 in.·lbf)

- Install the left and right covers.
- Connect the negative (-) terminal to the battery.



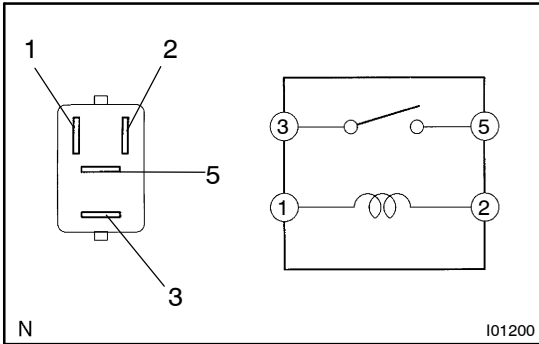
2. INSPECT HORN OPERATION

Connect the positive (+) lead from the battery to the terminal and negative (-) lead to the horn body and check that the horn blows.

If operation is not as specified, replace the horn.

3. INSPECT HORN SWITCH CIRCUIT

(See page DI-451)



4. INSPECT HORN RELAY CONTINUITY

Condition	Tester connection	Specified condition
Constant	1 - 2	Continuity
Apply B+ between terminals 1 and 2.	3 - 5	Continuity

If continuity is not as specified, replace the relay.

5. INSPECT HORN RELAY CIRCUIT

(See [page DI-451](#))