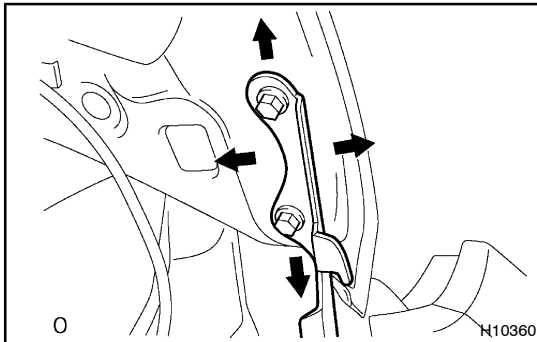


ADJUSTMENT

HINT:

Since the centering bolt is used as a hood hinge and hood lock set bolt, the hood and hood lock cannot be adjusted with it on. Substitute the bolt with a washer for the centering bolt.



1. ADJUST HOOD IN FORWARD/REARWARD

Adjust the hood by loosening the hood side hinge bolts.

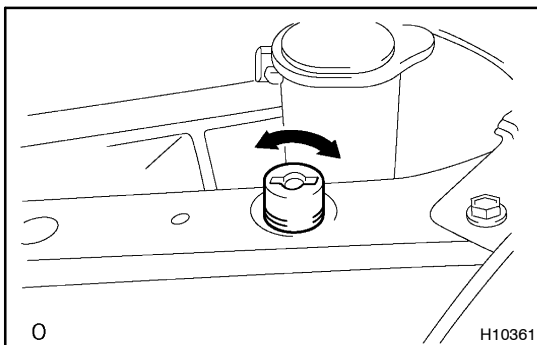
Torque: 13 N·m (133 kgf·cm, 10 ft·lbf)

2. ADJUST HOOD IN VERTICAL DIRECTIONS

(a) Remove the bolts and increase or decrease the number of washers between the hinge and hood.

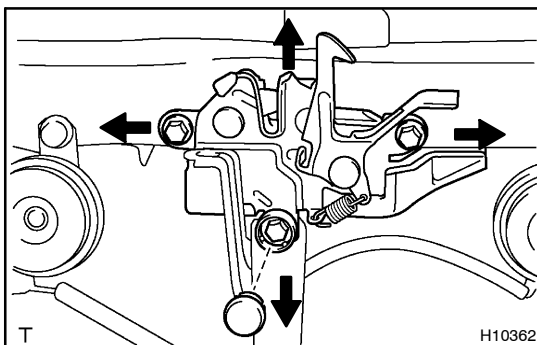
(b) Install the bolts again.

Torque: 13 N·m (133 kgf·cm, 10 ft·lbf)



3. ADJUST FRONT EDGE OF HOOD IN VERTICAL DIRECTION

Adjust the hood by turning the cushions.



4. ADJUST HOOD LOCK

(a) Remove the screw, 2 clips and radiator grille.

(b) Using a screwdriver, remove the hood lock bolt cap.

HINT:

Tape the screwdriver tip before use.

(c) Adjust the hood lock by loosening the bolts.

Torque: 8.0 N·m (82 kgf·cm, 71 in·lbf)