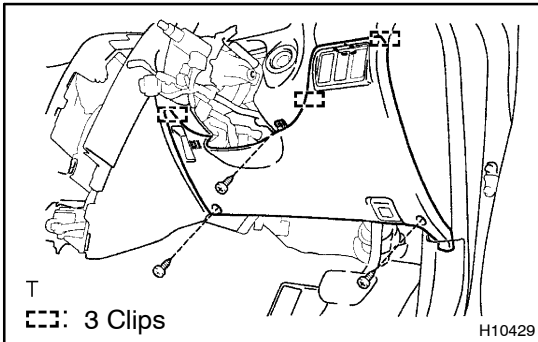


REMOVAL

1. REMOVE FRONT FENDER LINER

HINT:

For LHD vehicle, remove the front fender liner on the LH side, for RHD vehicle, remove the front fender liner on the RH side respectively.

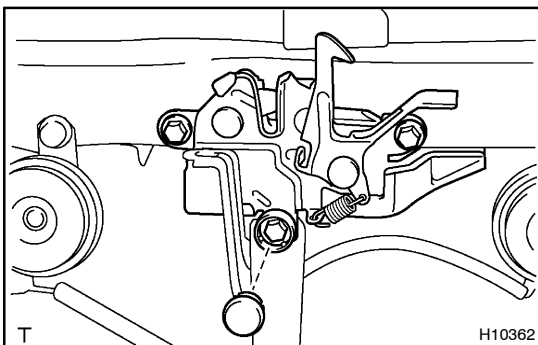


2. REMOVE LOWER FINISH PANEL

- (a) Remove the 3 screws and lower finish panel.
- (b) Disconnect the connectors and hood lock control cable.

3. REMOVE RADIATOR GRILLE

Remove the screw, 2 clips and radiator grille.



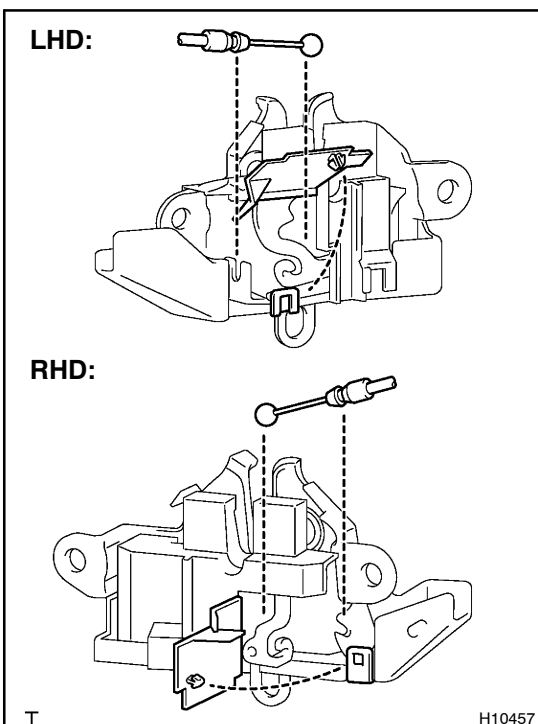
4. REMOVE HOOD LOCK

- (a) Using a screwdriver, remove the hood lock bolt cap.

HINT:

Tape the screwdriver tip before use.

- (b) Remove the 3 bolts and hood lock.



- (c) Using a screwdriver, open the cover, then disconnect the hood lock control cable.

HINT:

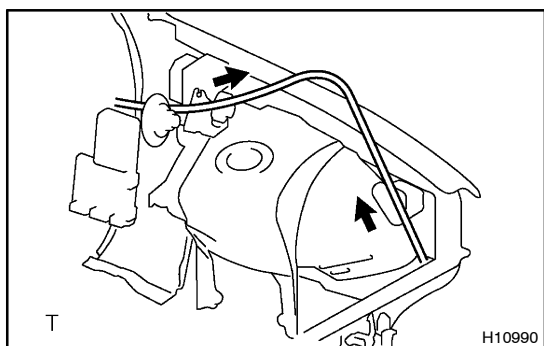
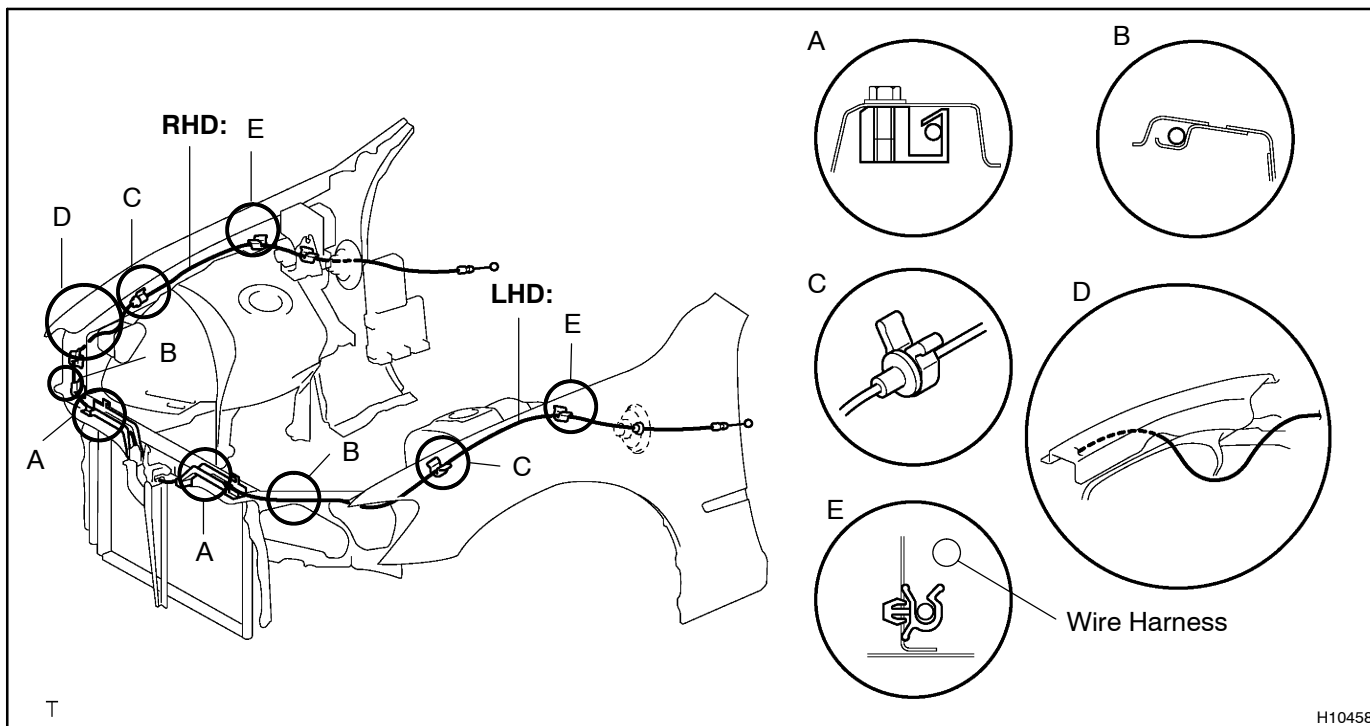
Tape the screwdriver tip before use.

5. REMOVE HOOD LOCK CONTROL CABLE

- (a) Using a screwdriver, disconnect the cable from the clamps.

HINT:

Tape the screwdriver tip before use.



- (b) Pull the cable from the engine room to remove it.