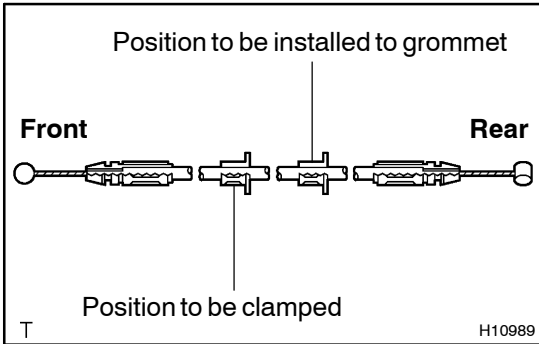


INSTALLATION

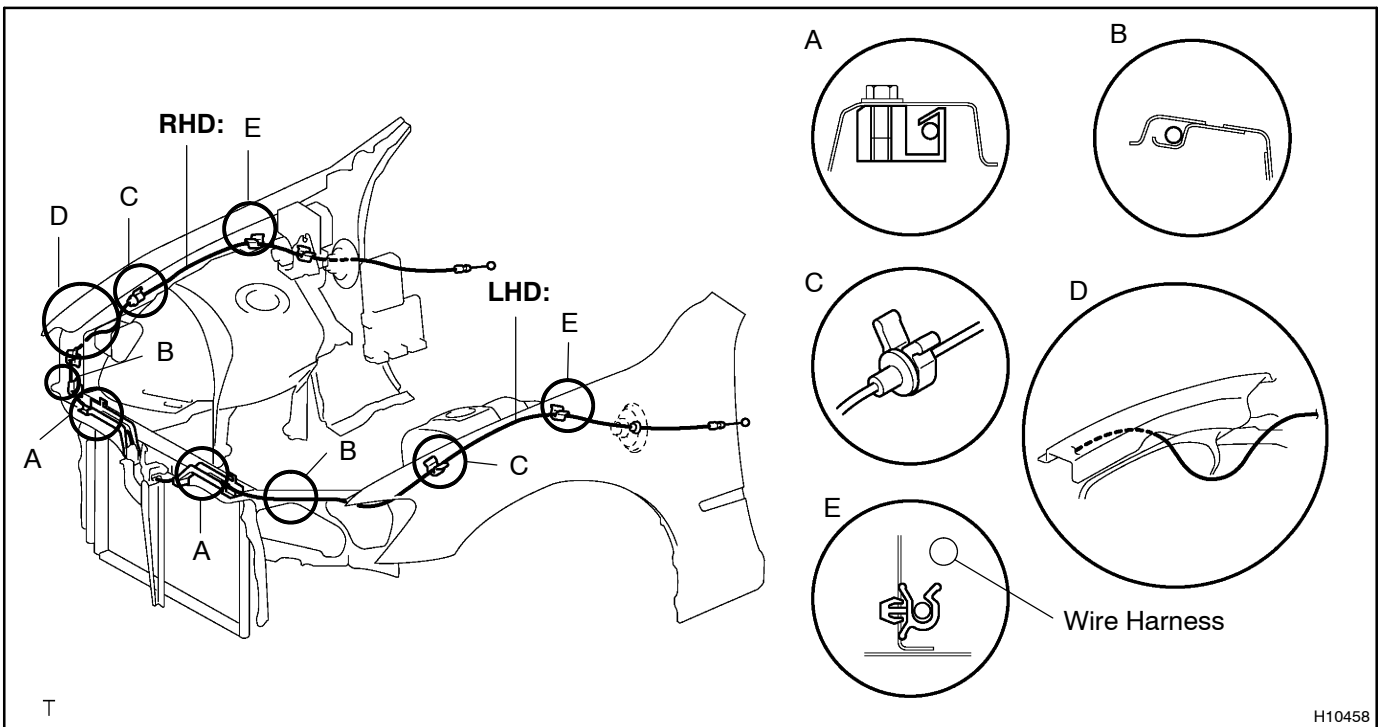
1. BEFORE INSTALLING PARTS, COAT LOCK WITH MP GREASE

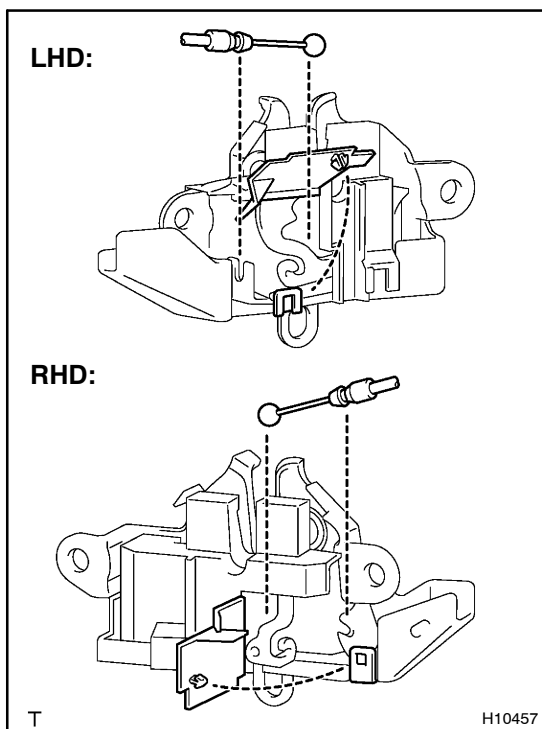
Apply MP grease to the sliding surface of the lock.



2. INSTALL HOOD LOCK CONTROL CABLE

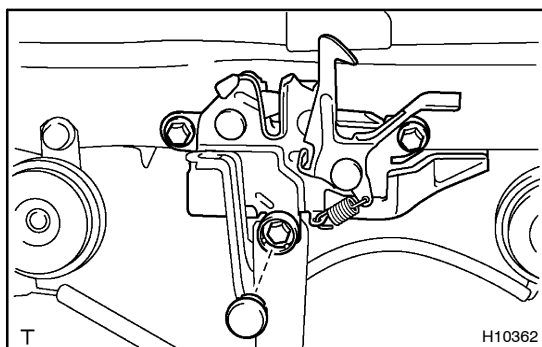
- (a) Push the rear side cable through the grommet.
- (b) Push the cable stopper to the grommet.
- (c) Pass the front side cable through the upper radiator support.
- (d) Install the cable with clamps.
- (e) Push the cable stopper to the clamp.





3. INSTALL HOOD LOCK

- (a) Connect the hood lock control cable to the hood lock, then close the cover.



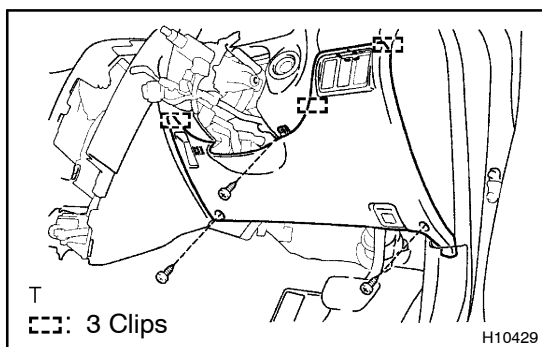
- (b) Install the hood lock with the 3 bolts.

Torque: 8.0 N·m (82 kgf·cm, 71 in·lbf)

- (c) Install the hood lock bolt cap.

4. INSTALL RADIATOR GRILLE

Install the radiator grille with the screw and 2 clips.



5. INSTALL LOWER FINISH PANEL

- (a) Connect the connectors and hood lock control cable to the lower finish panel.

- (b) Install the lower finish panel with the 3 screws.

6. CHECK HOOD LOCK CONTROL FOR PROPER OPERATION

After checking for proper operation, tighten the 3 bolts to install the lock.

Torque: 8.0 N·m (82 kgf·cm, 71 in·lbf)

7. INSTALL FRONT FENDER LINER