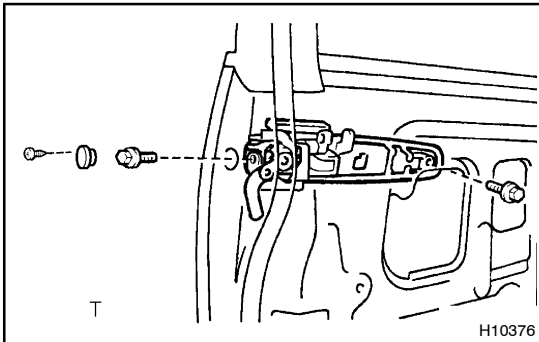
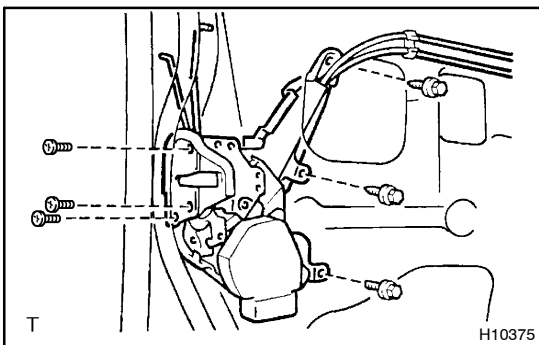


REASSEMBLY

1. **INSTALL OUTER WEATHERSTRIP**
2. **INSTALL CUSHIONS**
3. **INSTALL OUTSIDE HANDLE AND KEY CYLINDER**
 - (a) Install the key cylinder and protector with the bolt to the outside handle.
Torque: 5.0 N·m (51 kgf·cm, 44 in.·lbf)
 - (b) Install the retainer to the outside handle.
 - (c) Install the outside handle with the key cylinder to the door panel with the 2 bolts.
Torque: 5.5 N·m (56 kgf·cm, 49 in.·lbf)
 - (d) Install the hole cover with the screw.



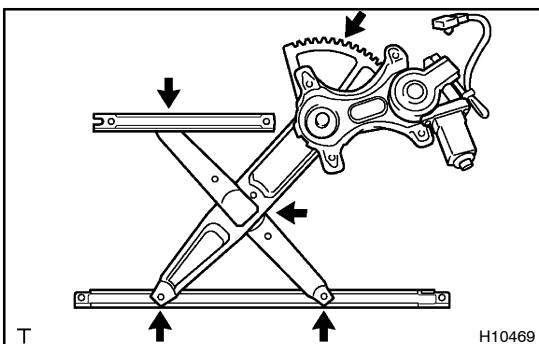
4. **INSTALL DOOR LOCK**
 - (a) Connect the connector.
 - (b) Using a torx socket wrench, install the door lock with the 3 torx screws.
Torx socket wrench: T30 (Part No. 09042-00010 or locally manufactured tool)
Torque: 5.5 N·m (56 kgf·cm, 49 in.·lbf)



HINT:

Apply adhesive to the 3 torx screws.

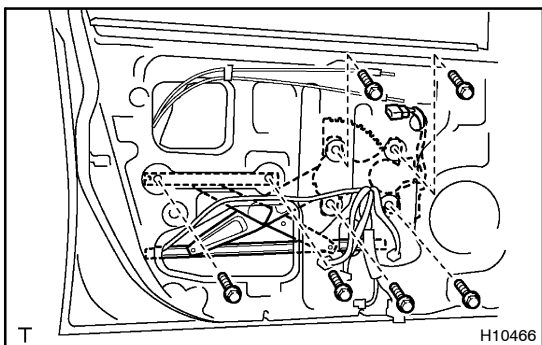
- Part No. 08833-00070, THREE BOND 1324 or equivalent**
- (c) Install the bolt and 2 screws.
 - (d) Connect the 2 links to the outside handle and key cylinder.
 5. **INSTALL REAR LOWER FRAME**
Install the rear lower frame with the bolt.
 6. **INSTALL DOOR GLASS RUN**



7. **INSTALL WINDOW REGULATOR**

HINT:

Apply MP grease to the sliding and rotating parts of the window regulator.



- (a) Install the window regulator with the 6 bolts.

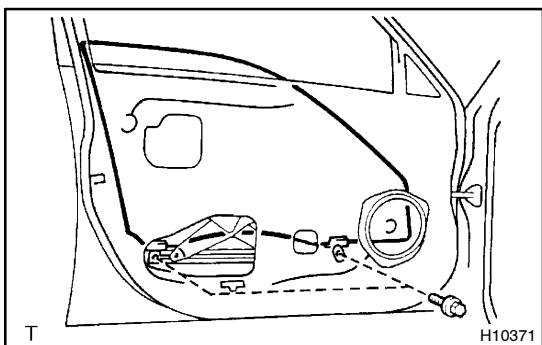
Torque: 11 N·m (112 kgf·cm, 8 ft·lbf)

- (b) Connect the connector and attach the clamps.

HINT:

After installing the window regulator, window regulator need to be re-initialized.

Refer to [BE-112](#).



8. INSTALL DOOR GLASS

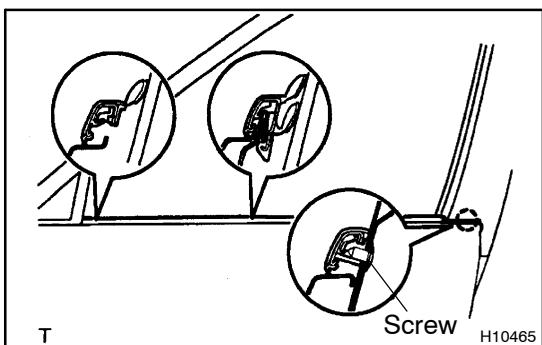
NOTICE:

Do not damage the door glass.

- (a) Put the door glass in the door panel carefully.

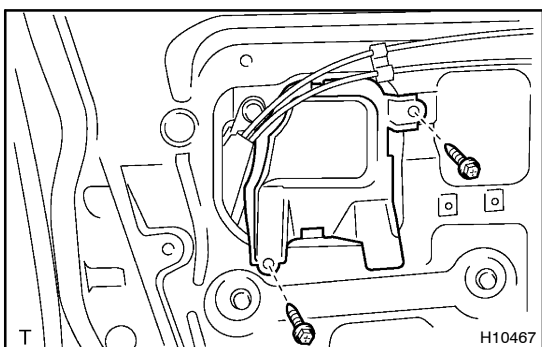
- (b) Install the door glass with the 2 bolts to the window regulator.

Torque: 8.0 N·m (82 kgf·cm, 71 in·lbf)



9. INSTALL FRONT DOOR BELT MOULDING

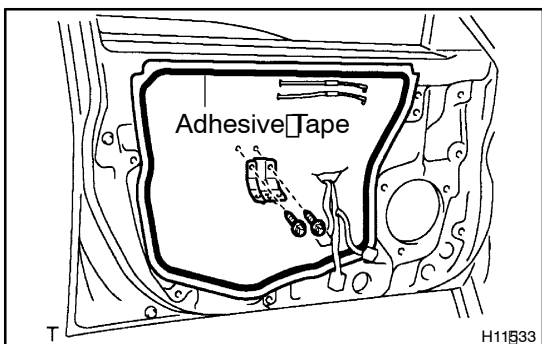
Install the front door belt moulding with the screw.



10. w/o Double locking:

INSTALL NO.2 SERVICE HOLE COVER

Install the No.2 service hole cover with the 2 screws.



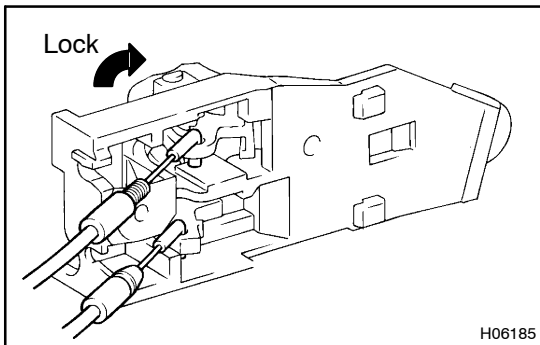
11. INSTALL SERVICE HOLE COVER

- (a) Install the service hole cover to the door panel.

HINT:

- When installing the service hole cover, pull out the links and connectors through the service hole cover.
- There should be no wrinkles or folds after attaching the service hole cover.
- After attaching the service hole cover, sealing condition shall be confirmed.

- (b) Install the door trim bracket with the 2 screws.



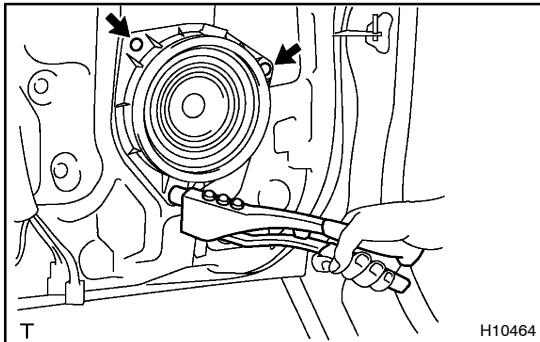
12. INSTALL INSIDE HANDLE

Connect the 2 cables to the inside handle, then install the inside handle with the screw.

NOTICE:

At the time of locking cable reassembly, please observe to the following items.

- Set the door lock assembly to the LOCK position.
- Hold the lock knob to the LOCK position by hand and do not pull the cable, while connecting the locking cable.

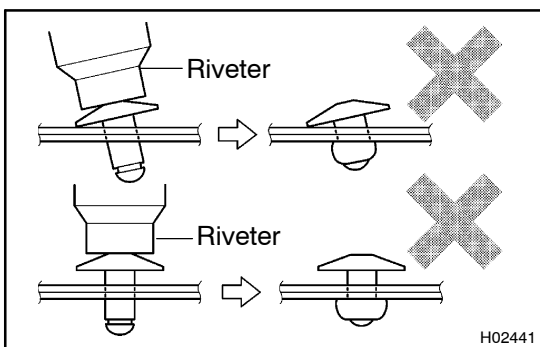
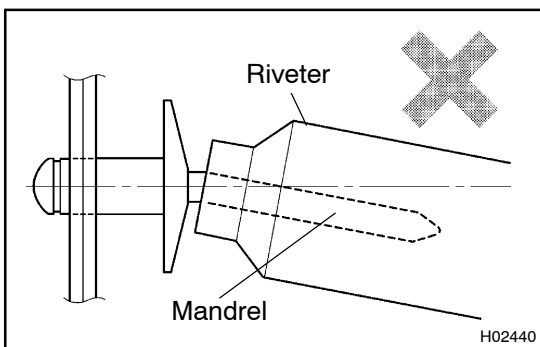


13. INSTALL FRONT NO.1 SPEAKER

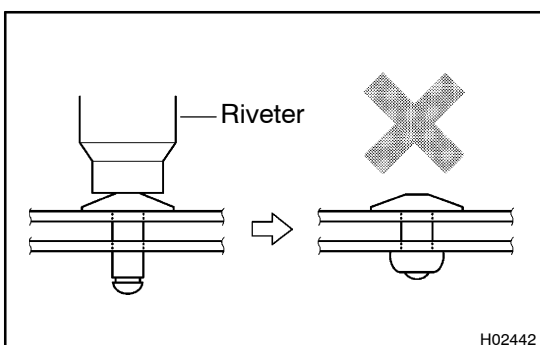
- (a) Using an air riveter or hand riveter, install the front No.1 speaker.

NOTICE:

- Do not prize a riveter, as riveter is damaged, it is not tightened and the mandrel is bent.



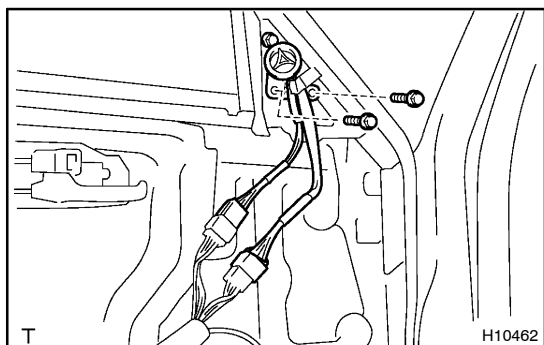
- Do not tilt the riveter and disconnect the rivet from the material while handling a riveter, as the materials are not tightened firmly.



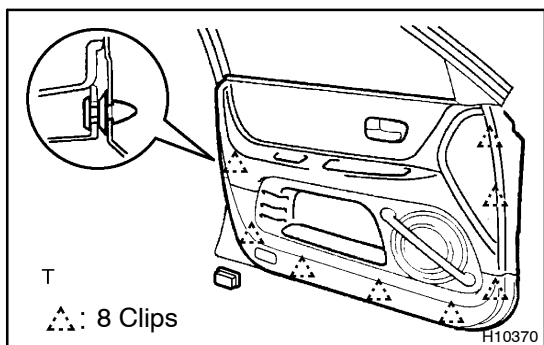
- Install the rivet while attaching materials, as they are not tightened firmly.
- (b) Connect the connector.

14. INSTALL OUTSIDE REAR VIEW MIRROR

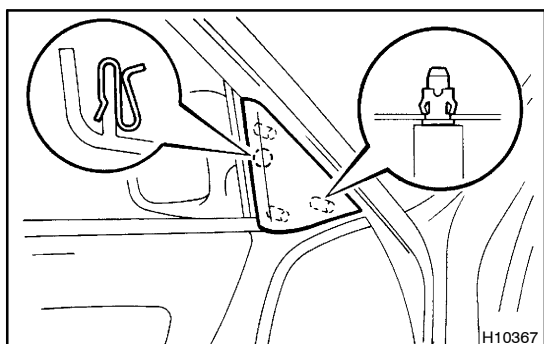
- (a) w/ Front No.2 speaker:
Install the outside rear view mirror with the bolt.
Torque: 8.0 N·m (82 kgf·cm, 71 in·lbf)
- (b) w/o Front No.2 speaker:
Install the outside rear view mirror with the 3 bolts.
Torque: 8.0 N·m (82 kgf·cm, 71 in·lbf)
- (c) Connect the connector.

**15. w/ Front No.2 speaker:
INSTALL FRONT NO.2 SPEAKER**

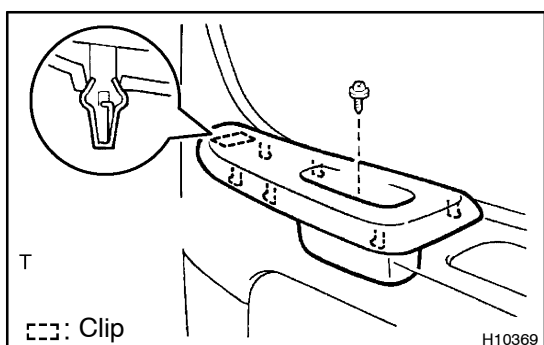
- (a) Install the front No.2 speaker with the 2 bolts.
Torque: 8.0 N·m (82 kgf·cm, 71 in·lbf)
- (b) Connect the 2 connectors.

**16. INSTALL DOOR TRIM**

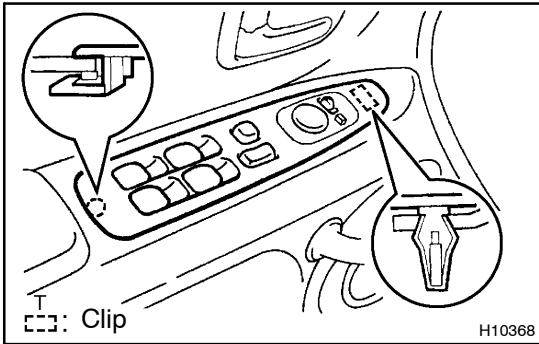
- (a) Install the door trim to the door panel.
- (b) Connect the connector, then install the courtesy light.

**17. INSTALL LOWER FRAME BRACKET GARNISH**

Install the lower frame bracket garnish to the door panel.

**18. INSTALL FRONT ARMREST**

Install the front armrest with the screw.

**19. INSTALL POWER WINDOW SWITCH**

- (a) Disconnect the connectors.
- (b) Install the power window switch.

20. INSTALL INSIDE HANDLE BEZEL

- (a) Install the inside handle bezel with the screw.
- (b) Close the screw cap.