

DISASSEMBLY

1. REMOVE INSIDE HANDLE BEZEL

- (a) Using a screwdriver, open the screw cap.

HINT:

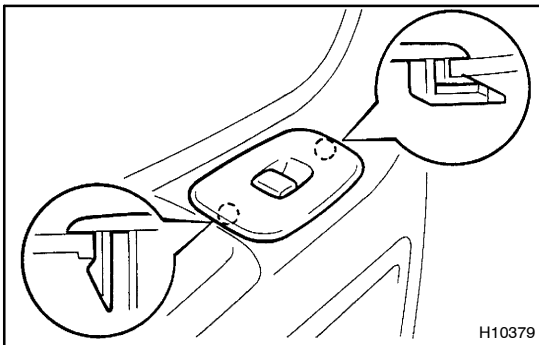
Tape the screwdriver tip before use.

- (b) Remove the screw.

- (c) Using a screwdriver, remove the inside handle bezel as shown in the illustration.

HINT:

Tape the screwdriver tip before use.



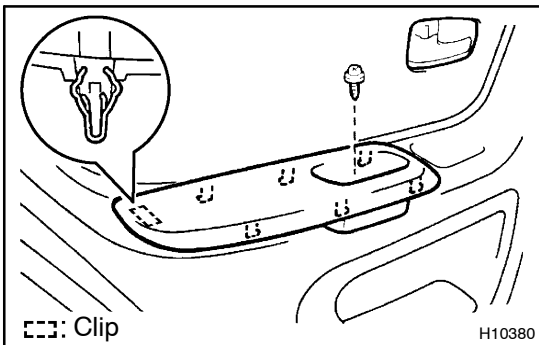
2. REMOVE POWER WINDOW SWITCH

- (a) Using a screwdriver, remove the power window switch.

HINT:

Tape the screwdriver tip before use.

- (b) Disconnect the connector.



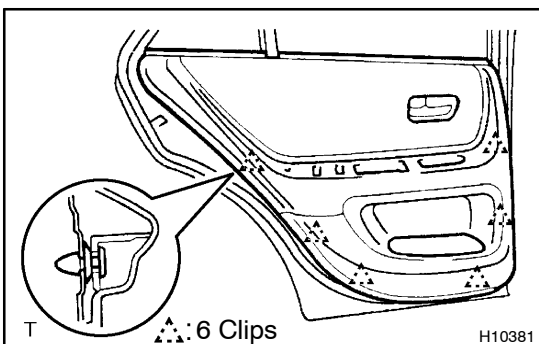
3. REMOVE REAR ARMREST

- (a) Remove the screw.

- (b) Using a screwdriver, remove the rear armrest.

HINT:

Tape the screwdriver tip before use.

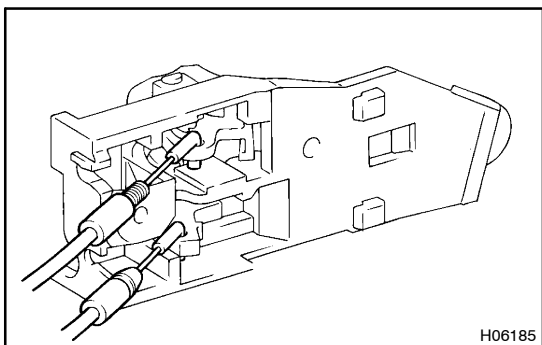


4. REMOVE DOOR TRIM

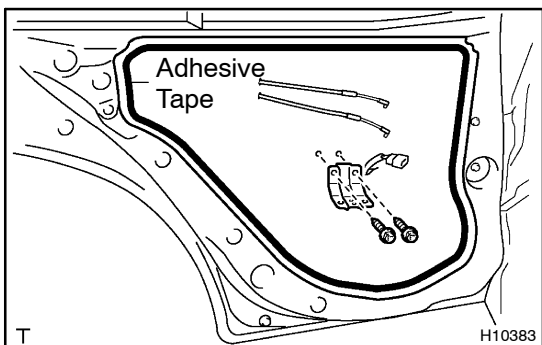
Using a screwdriver, disengage the clips, then pull the trim upward to remove it.

HINT:

Tape the screwdriver tip before use.

**5. REMOVE INSIDE HANDLE**

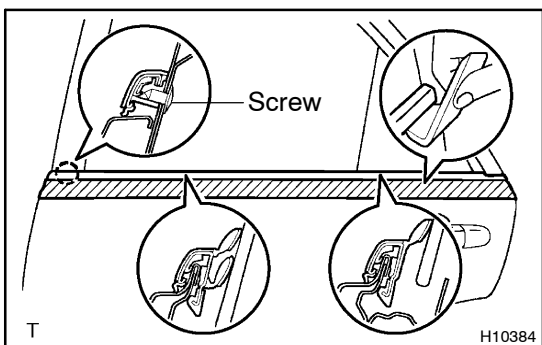
Remove the screw and inside handle, disconnect the 2 cables from the inside handle.

**6. REMOVE SERVICE HOLE COVER**

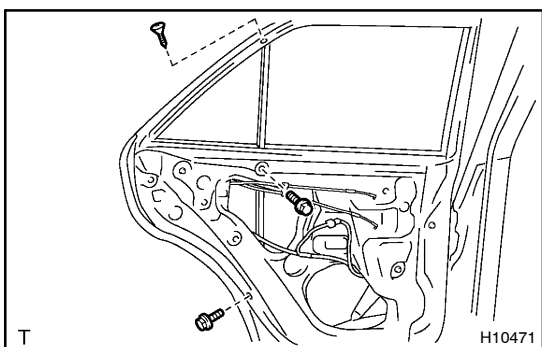
- (a) Disconnect the connector.
- (b) Remove the 2 screws and door trim bracket.
- (c) Remove the service hole cover.

7. w/o Double locking:**REMOVE SERVICE HOLE PLATE**

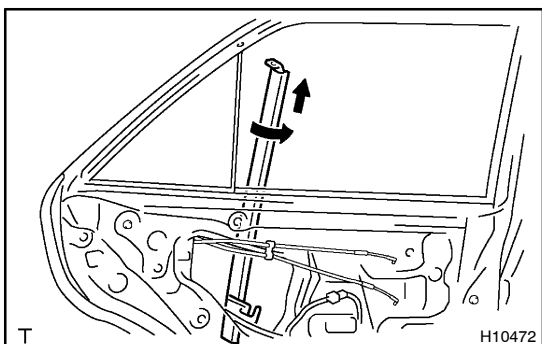
Remove the 2 screws and service hole plate.

8. REMOVE DOOR GLASS RUN**9. REMOVE REAR DOOR BELT MOULDING**

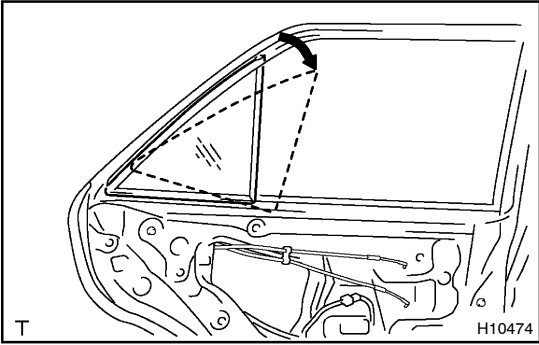
- (a) Remove a screw.
- (b) Apply protective tape to the outer surface as shown in the illustration to keep the surface from being scratched.
- (c) Using a moulding remover, remove the rear door belt moulding as shown in the illustration.

**10. REMOVE DIVISION BAR**

- (a) Remove the 2 bolts and screw.
- (b) Pull the division bar forward.



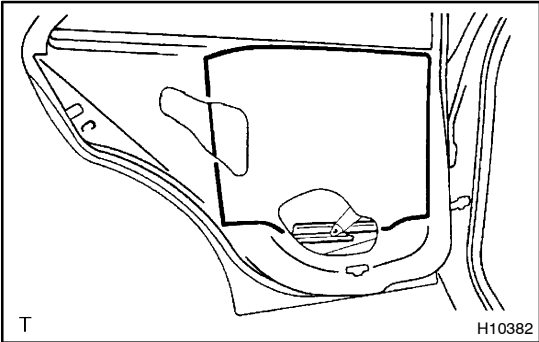
- (c) Rotate the division bar 90° and pull it upward as shown in the illustration.



- 11. REMOVE REAR DOOR QUARTER WINDOW GLASS**
 (a) Remove the rear door quarter window glass as shown in the illustration.

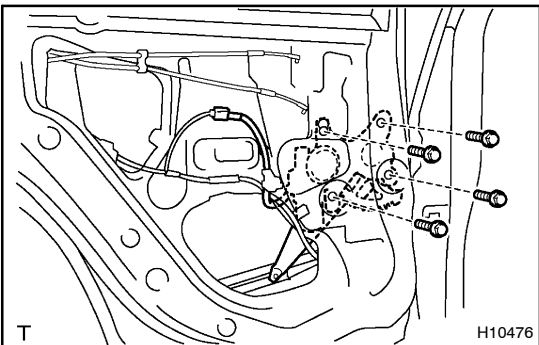
NOTICE:**Do not damage the glass.**

- (b) Remove the quarter window weatherstrip from the glass.

**12. REMOVE DOOR GLASS****HINT:**

Insert a shop rag inside the door panel to prevent scratching the glass.

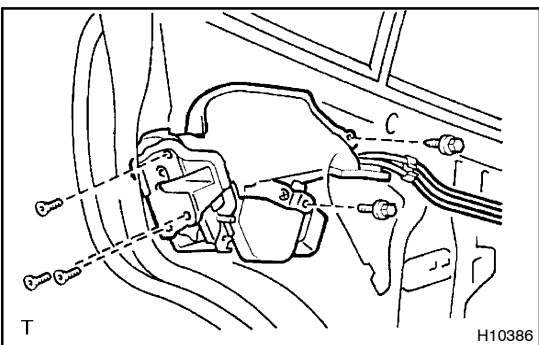
- (a) Open the door glass.
 (b) Tilt the door glass and disconnect the roller of the regulator from the glass channel to remove the door glass.

**13. REMOVE WINDOW REGULATOR**

- (a) Disconnect the connector.
 (b) Remove the 4 bolts and window regulator.

14. REMOVE DOOR LOCK

- (a) Remove the child protection cover.
 (b) Disconnect the 2 links from the outside handle and key cylinder.



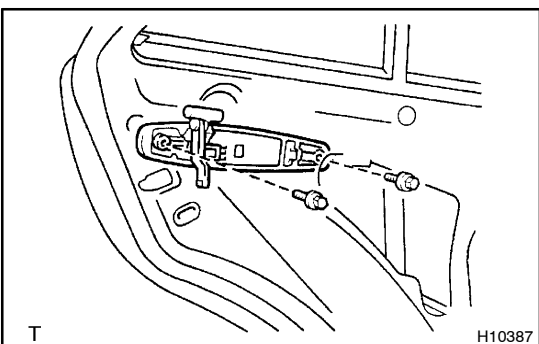
- (c) Remove the bolt and screw.
 (d) Using a torx socket wrench, remove the 3 torx screws and door lock.

Torx socket wrench: T30 (Part No. 09042-00010 or locally manufactured tool)

HINT:

Remove the door lock through the service hole.

- (e) Disconnect the connector.

**15. REMOVE OUTSIDE HANDLE**

Remove the 2 bolts and outside handle.

16. REMOVE CUSHIONS