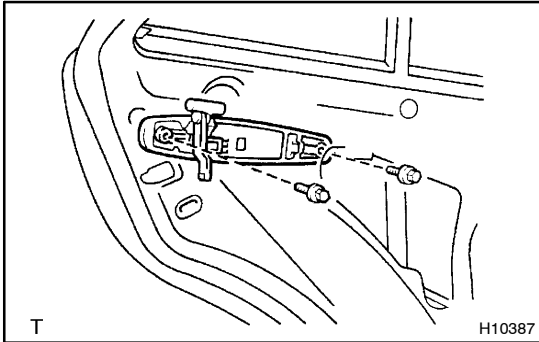


REASSEMBLY

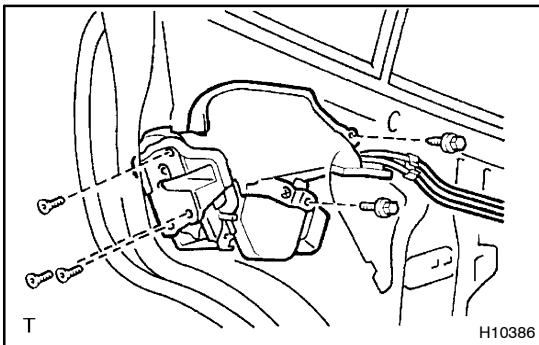
1. INSTALL CUSHIONS



2. INSTALL OUTSIDE HANDLE

Install the outside handle with the 2 bolts.

Torque: 5.5 N·m (56 kgf·cm, 49 in.·lbf)



3. INSTALL DOOR LOCK

(a) Connect the connector.

(b) Using a torx socket wrench, install the door lock with the 3 torx screws.

Torque: 5.5 N·m (56 kgf·cm, 49 in.·lbf)

Torx socket wrench: T30 (Part No. 09042-00010 or locally manufactured tool)

HINT:

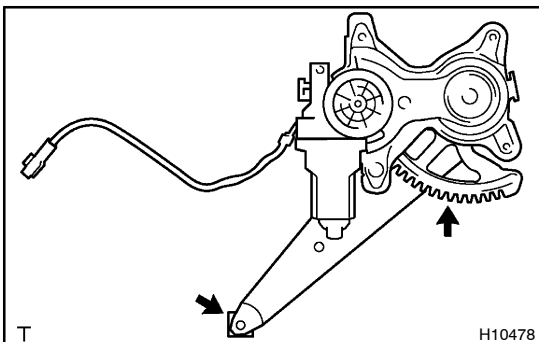
Apply adhesive to the 3 torx screws.

Part No. 08833-00070, THREE BOND 1324 or equivalent

(c) Install the bolt and screw.

(d) Connect the 2 links to the outside handle and key cylinder.

(e) Install the child protection cover.

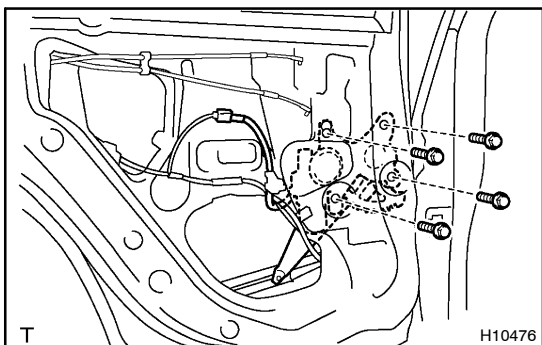


4. INSTALL WINDOW REGULATOR

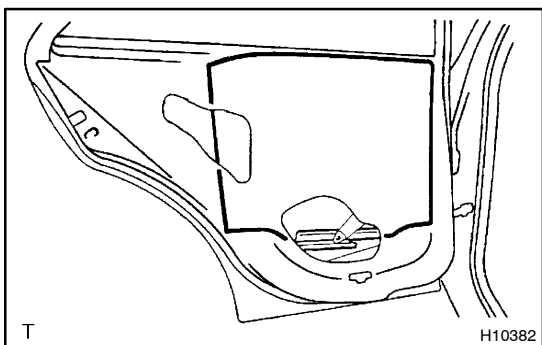
HINT:

Apply MP grease to the sliding and rotating parts of the window regulator.

BODY - REAR DOOR

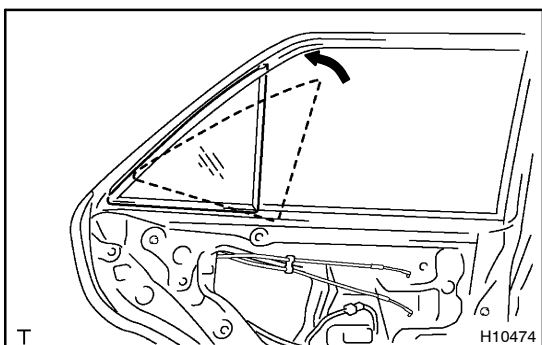


- (a) Install the window regulator with the 4 bolts.
Torque: 11 N·m (112 kgf·cm, 8 ft·lbf)
- (b) Connect the connector.

**5. INSTALL DOOR GLASS****HINT:**

Insert a shop rag inside the door panel to prevent scratching the glass.

Tilt the door glass and connect the roller of the regulator to the glass channel to install the door glass.

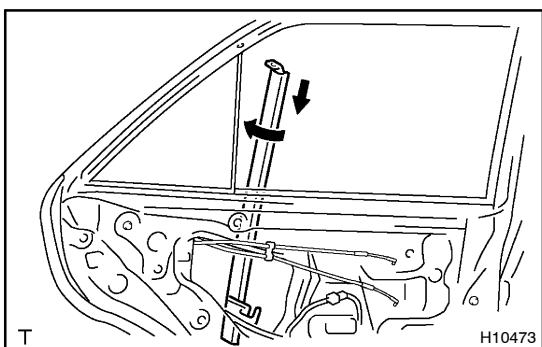
**6. INSTALL QUARTER WINDOW GLASS**

- (a) Install the quarter window weatherstrip to the glass.

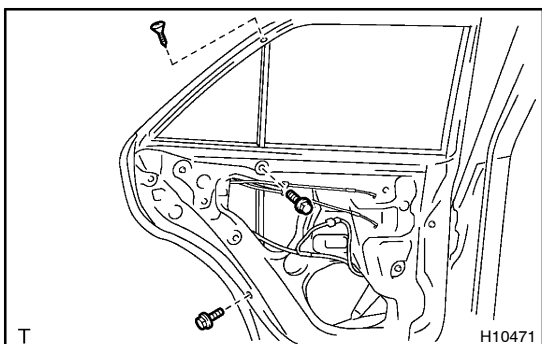
NOTICE:

Do not damage the glass.

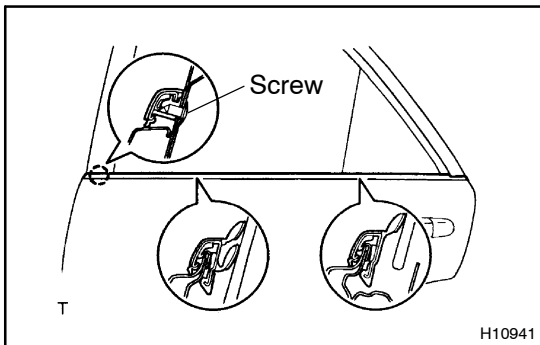
- (b) Install the rear door quarter window glass as shown in the illustration.

**7. INSTALL DIVISION BAR**

- (a) Insert the division bar to the door panel, then rotate it 90°.



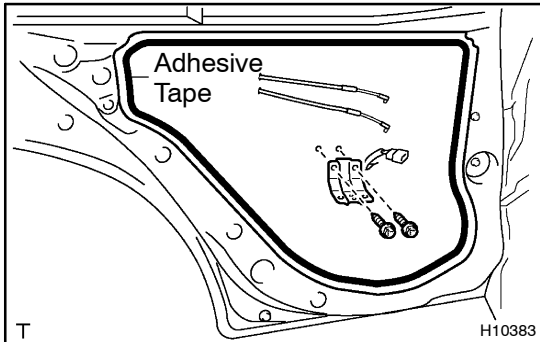
- (b) Install the 2 bolts and screw.
- 8. INSTALL DOOR GLASS RUN**

**9. INSTALL REAR DOOR BELT MOULDING**

Install the rear door belt moulding with the screw.

10. INSTALL SERVICE HOLE PLATE

Install the service hole plate with the 2 screws.

**11. INSTALL SERVICE HOLE COVER**

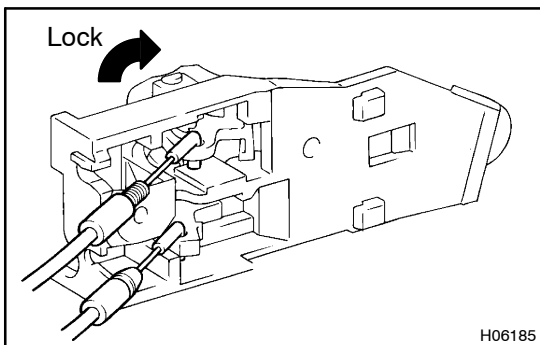
(a) Install the service hole cover to the door panel.

HINT:

- When installing the service hole cover, pull out the links and connectors through the service hole cover.
- There should be no wrinkles or folds after attaching the service hole cover.
- After attaching the service hole cover, sealing condition shall be confirmed.

(b) Install the door trim bracket with the 2 screws.

(c) Connect the connector.

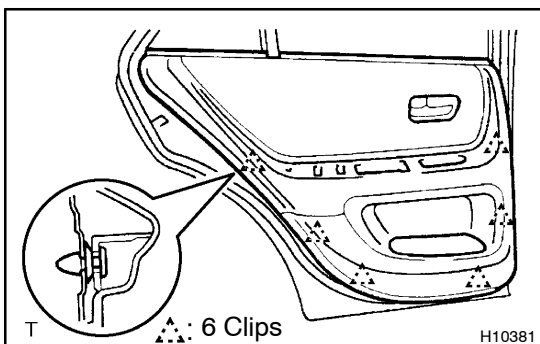
**12. INSTALL INSIDE HANDLE**

Connect the 2 cables to the inside handle, then install the inside handle with the screw.

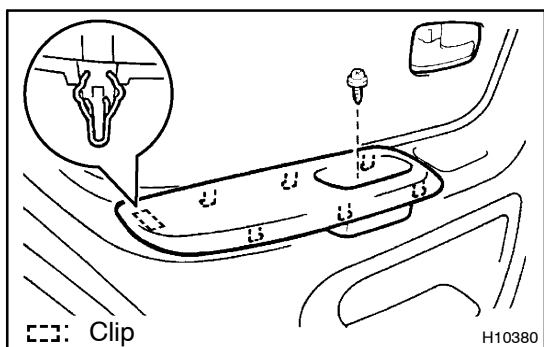
NOTICE:

At the time of locking cable reassembly, please observe to the following items.

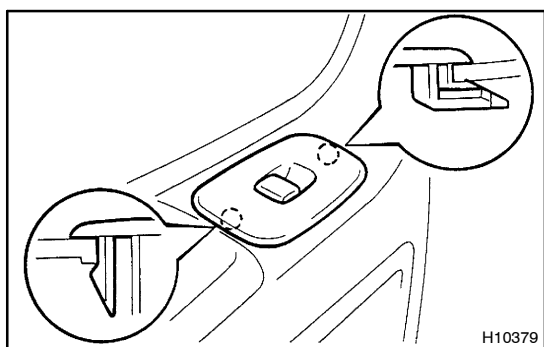
- **Set the door lock assembly to the LOCK position.**
- **Hold the lock knob to the LOCK position by hand and do not pull the cable, while connecting the locking cable.**

**13. INSTALL DOOR TRIM**

Install the door trim to the door panel.

**14. INSTALL REAR ARMREST**

Install the rear armrest with the screw.

**15. INSTALL POWER WINDOW SWITCH**

- (a) Connect the connector.
- (b) Install the power window switch to the door trim.

16. INSTALL DOOR INSIDE HANDLE BEZEL

- (a) Install the door inside handle bezel with the screw.
- (b) Close the cap.