

## REMOVAL

### 1. REMOVE INSIDE HANDLE BEZEL

- (a) Using a screwdriver, open the screw cap.

HINT:

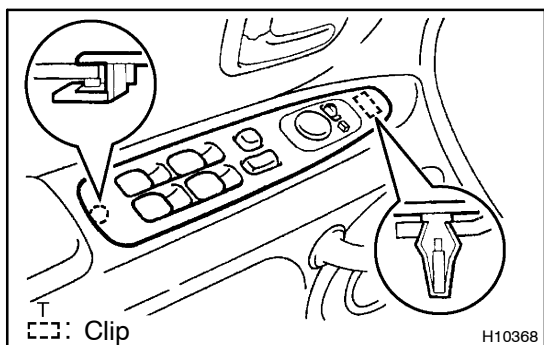
Tape the screwdriver tip before use.

- (b) Remove the screw.

- (c) Using a screwdriver, remove the inside handle bezel as shown in the illustration.

HINT:

Tape the screwdriver tip before use.



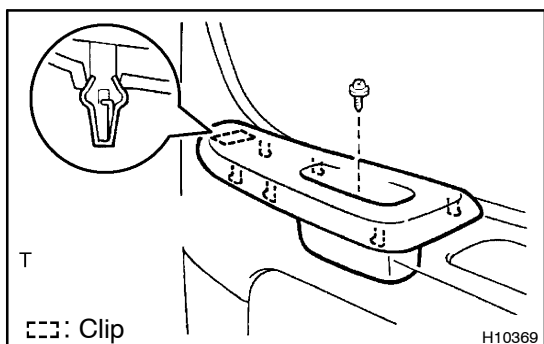
### 2. REMOVE POWER WINDOW SWITCH

- (a) Using a screwdriver, remove the power window switch.

HINT:

Tape the screwdriver tip before use.

- (b) Disconnect the connectors.



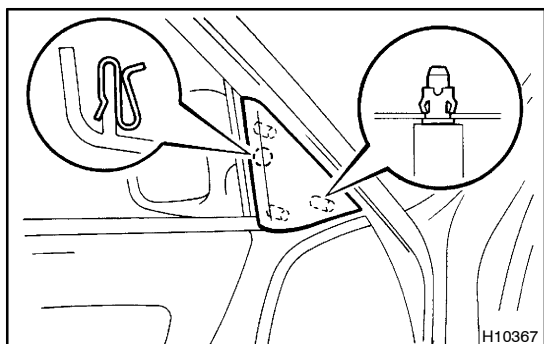
### 3. REMOVE FRONT ARMREST

- (a) Remove the screw.

- (b) Using a screwdriver, remove the front armrest as shown in the illustration.

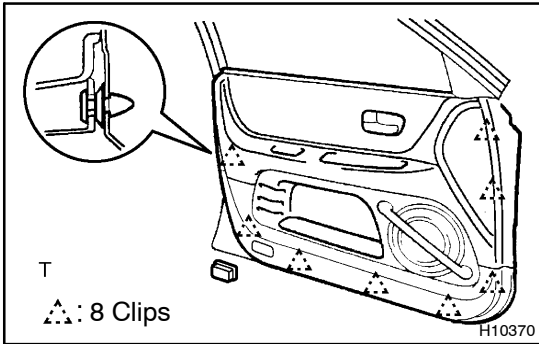
HINT:

Tape the screwdriver tip before use.



### 4. REMOVE LOWER FRAME BRACKET GARNISH

Remove the lower frame bracket garnish.

**5. REMOVE DOOR TRIM**

- (a) Using a screwdriver, remove the courtesy light, then disconnect the connector.

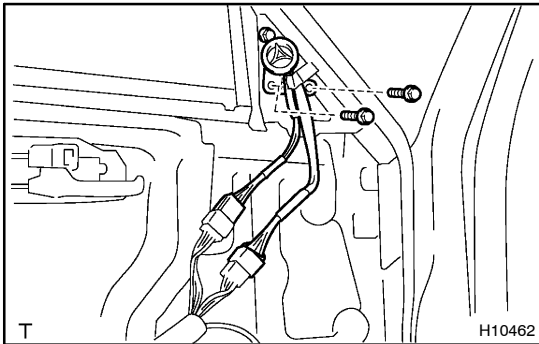
HINT:

Tape the screwdriver tip before use.

- (b) Using a screwdriver, disengage the clips, then pull the trim upward to remove it.

HINT:

Tape the screwdriver tip before use.

**6. w/ Front No.2 speaker:****REMOVE FRONT NO.2 SPEAKER**

- (a) Disconnect the connector.  
(b) Remove the 2 bolts and front No.2 speaker.

**7. REMOVE OUTSIDE REAR VIEW MIRROR**

- (a) Disconnect the connector.  
(b) w/ Front No.2 speaker:  
Remove the bolt and outside rear view mirror.  
(c) w/o Front No.2 speaker:  
Remove the 3 bolts and outside rear view mirror.