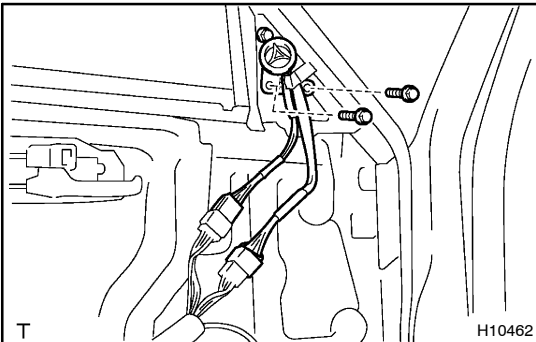


## INSTALLATION

### 1. INSTALL OUTSIDE REAR VIEW MIRROR

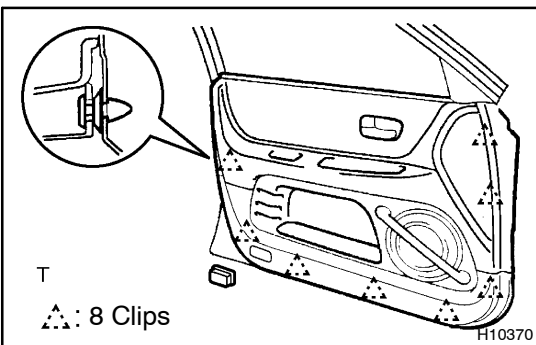
- (a) w/ Front No.2 speaker:  
Install the outside rear view mirror with the bolt.  
**Torque: 8.0 N·m (82 kgf·cm, 71 in·lbf)**
- (b) w/o Front No.2 speaker:  
Install the outside rear view mirror with the 3 bolts.  
**Torque: 8.0 N·m (82 kgf·cm, 71 in·lbf)**
- (c) Connect the connector.



### 2. w/ Front No.2 speaker:

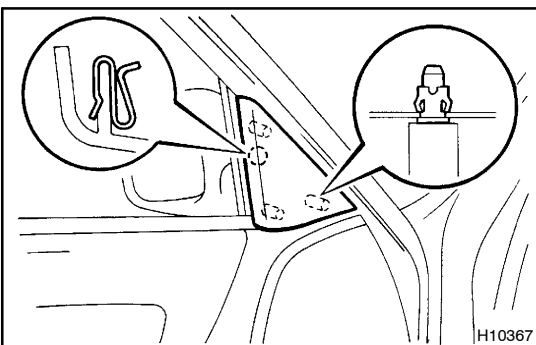
#### INSTALL FRONT NO.2 SPEAKER

- (a) Install the front No.2 speaker with the 2 bolts.  
**Torque: 8.0 N·m (82 kgf·cm, 71 in·lbf)**
- (b) Connect the connector.



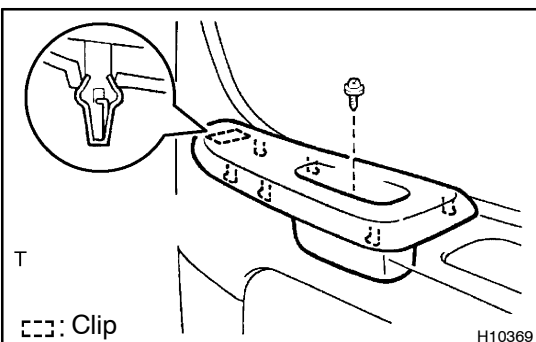
### 3. INSTALL DOOR TRIM

- (a) Install the door trim to the door panel.
- (b) Connect the connector, then install the courtesy light.



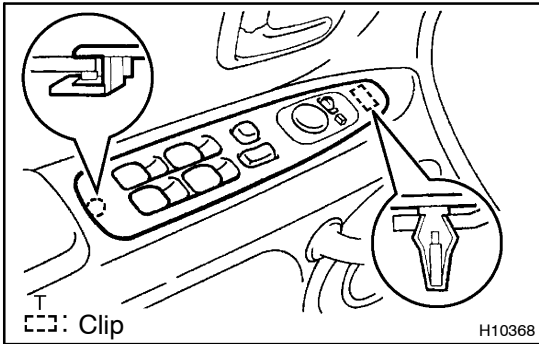
### 4. INSTALL LOWER FRAME BRACKET GARNISH

Install the lower frame bracket garnish to the door panel.



### 5. INSTALL FRONT ARMREST

Install the front armrest with the screw.

**6. INSTALL POWER WINDOW SWITCH**

- (a) Connect the connectors.
- (b) Install the power window switch.

**7. INSTALL INSIDE HANDLE BEZEL**

- (a) Install the inside handle bezel with the screws.
- (b) Close the screw cap.