

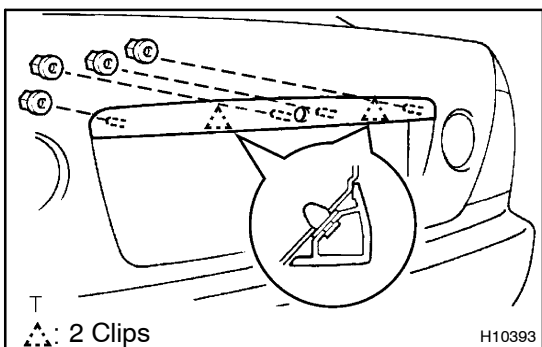
## DISASSEMBLY

### 1. REMOVE REAR LIGHT

- (a) Remove the nut.
- (b) Disengage the clip.
- (c) Disconnect the connector, then remove the rear light.
- (d) Employ the same manner described above to the other side.

### 2. REMOVE LUGGAGE COMPARTMENT DOOR OUTER GARNISH

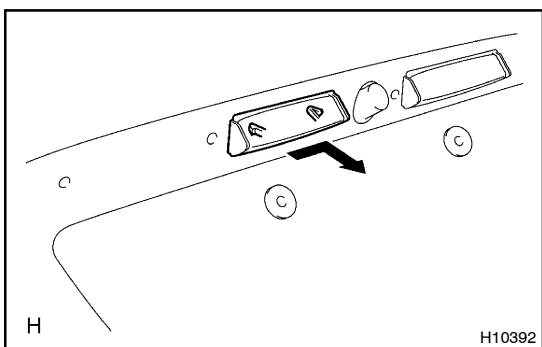
- (a) Disconnect the cable and link from the key cylinder.



- (b) Remove the 4 nuts and key cylinder.
- (c) Using a screwdriver, remove the luggage compartment door outer garnish.

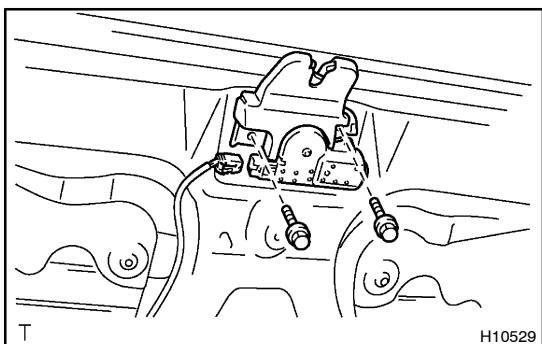
#### HINT:

Tape the screwdriver tip before use.



### 3. REMOVE LICENCE PLATE LIGHT

- (a) Disconnect the connector.
- (b) Remove the licence plate light as shown in the illustration.
- (c) Employ the same manner described above to the other side.



### 4. REMOVE LUGGAGE COMPARTMENT DOOR LOCK

- (a) Disconnect the connector.
- (b) Remove the 2 bolts and luggage compartment door lock.  
**Torque: 5.5 N·m (56 kgf·cm, 49 in.·lbf)**