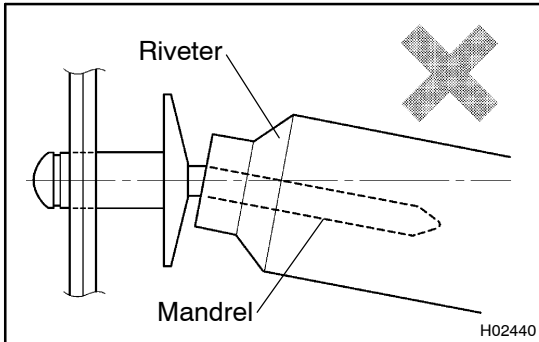


INSTALLATION

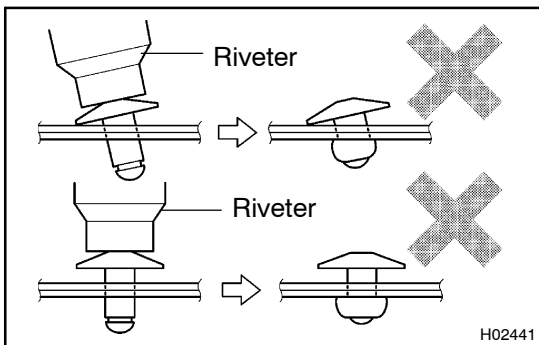
1. INSTALL FUEL FILLER OPENING LID

Using a riveter, install the fuel filler opening lid with the 2 rivets to the body.

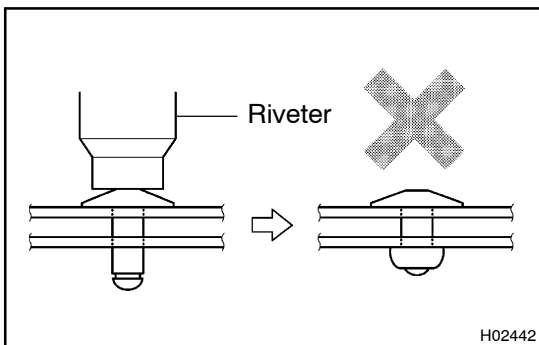


NOTICE:

- Do not prize a riveter, as riveter is damaged, if it not tightened and the mandrel is bent.

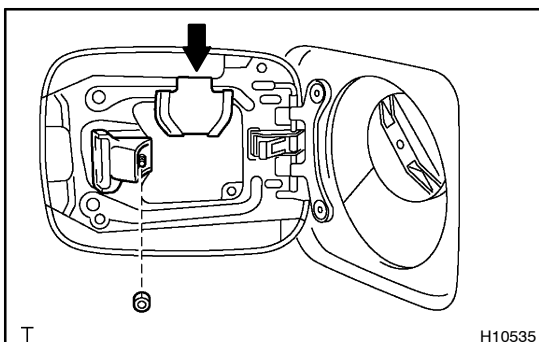


- Do not tilt the riveter and disconnect the rivet from the material while handling a riveter, as the materials are not tightened firmly.



- Install the rivet while attaching materials, as they are not tightened firmly.

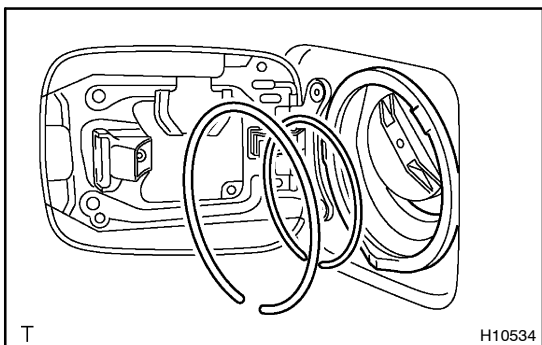
2. INSTALL FUEL FILLER OPENING SPRING



3. INSTALL FUEL FILLER OPENING LID LOCK RETAINER

Install the fuel filler opening lid lock retainer with the nut.

4. INSTALL FUEL TANK CAP HANGER

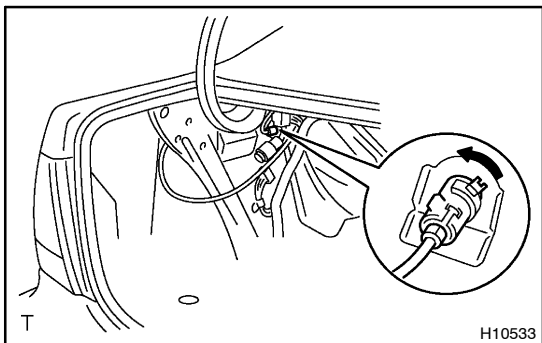
**5. INSTALL FUEL FILLER SHIELD**

- (a) Remove the fuel tank cap.
- (b) Install the fuel filler shield to the body.
- (c) Install the fuel tank cap quickly.

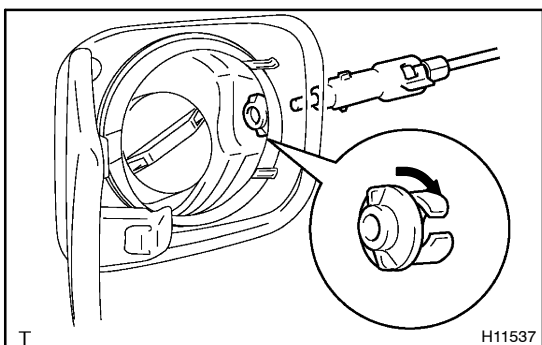
CAUTION:

Always keep the tank cap closed when it is not required to be open. Keep all fire away during the operation.

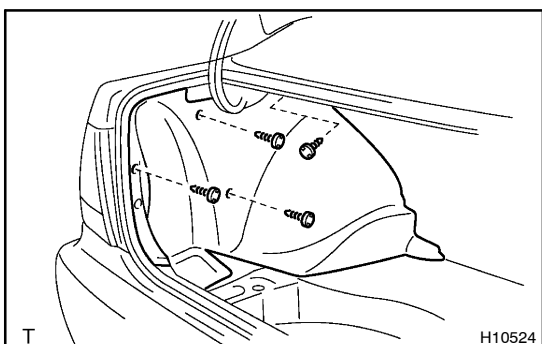
- (d) Install the 2 rings to the fuel filler shield as shown in the illustration.

**6. INSTALL FUEL LID LOCK CONTROL**

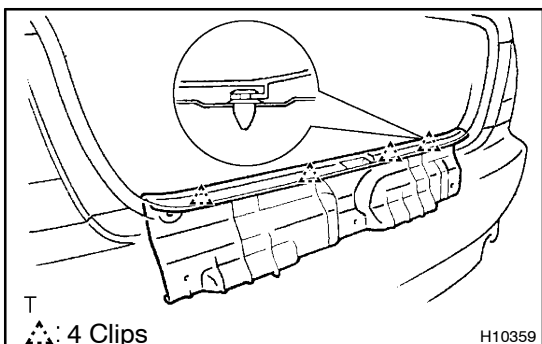
- (a) Install the retainer to the body from the outside of the vehicle and rotate it right to lock.



- (b) Insert the fuel lid lock control to the retainer and rotate it left to lock.

**7. INSTALL LUGGAGE COMPARTMENT TRIM SIDE COVER LH**

Install the luggage compartment trim side cover LH with the 3 clips.

8. INSTALL LUGGAGE COMPARTMENT FLOOR HOOKS**9. INSTALL LUGGAGE COMPARTMENT TRIM REAR COVER**

Install the luggage compartment trim rear cover with the 5 clips.

10. INSTALL LUGGAGE COMPARTMENT TRIM NO.2 COVER