

## REMOVAL

### 1. REMOVE WIPER ARMS

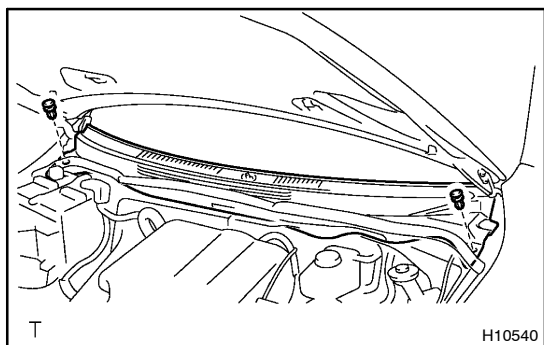
- (a) Using a screwdriver, remove the wiper arm head covers.

HINT:

Tape the screwdriver tip before use.

- (b) Remove the 2 nuts and 2 wiper arms.

### 2. REMOVE HOOD TO COWL TOP SEAL



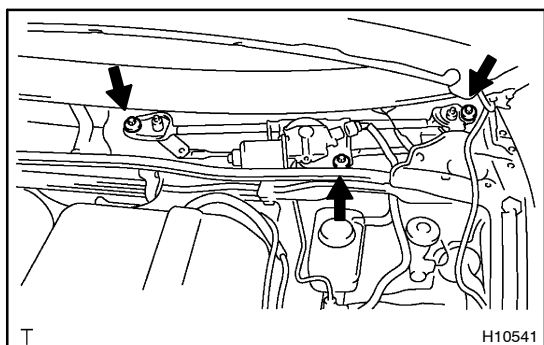
### 3. REMOVE COWL TOP VENTILATOR LOUVER

- (a) Remove the 2 clips

- (b) Using a screwdriver, remove the cowl top ventilator louver.

HINT:

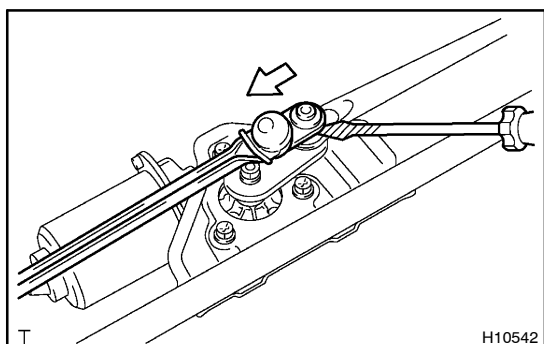
Tape the screwdriver tip before use.



### 4. REMOVE WIPER LINK ASSEMBLY

- (a) Disconnect the connector.

- (b) Remove the 3 bolts and wiper link assembly.

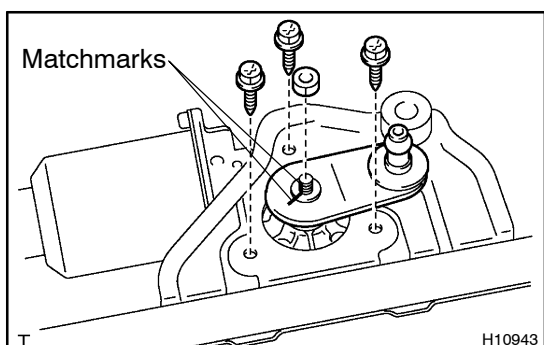


### 5. REMOVE WIPER MOTOR

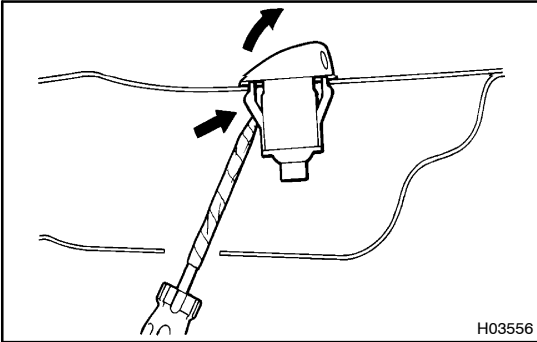
- (a) Using a screwdriver, disconnect the wiper link from the motor.

HINT:

Tape the screwdriver tip before use.



- (b) Remove the nut.
- (c) Place the matchmarks on the wiper link and motor.
- (d) Remove the 3 screws and wiper motor from the wiper link.

**6. REMOVE WASHER NOZZLE**

- (a) Remove the hood insulator.
- (b) Disconnect the washer hose.
- (c) Using a screwdriver, remove the washer nozzle.

**HINT:**

Tape the screwdriver tip before use.

- (d) Employ the same manner described above to the other side.