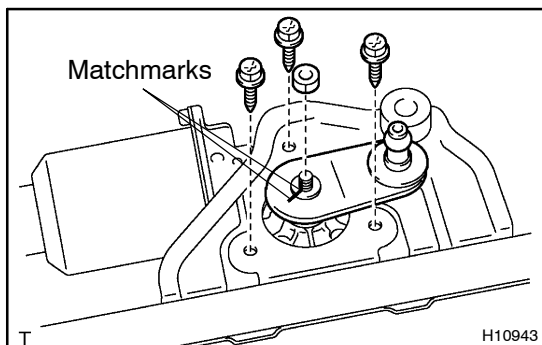


INSTALLATION

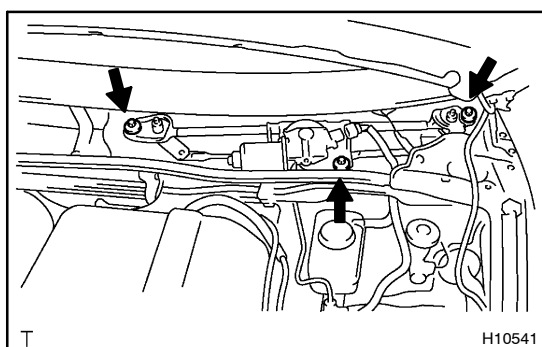
1. INSTALL WASHER NOZZLES

- (a) Install the washer nozzles, then connect the washer hoses.
- (b) Install the hood insulator.



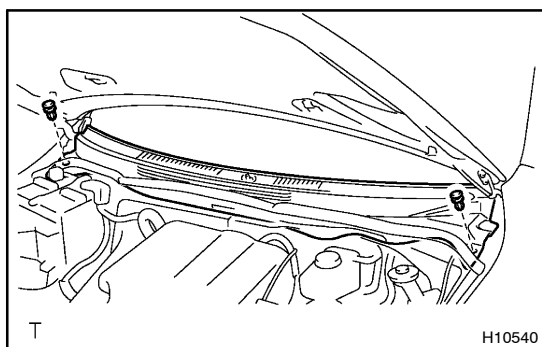
2. INSTALL WIPER MOTOR

- (a) Install the wiper motor with the 3 bolts to the wiper link.
Torque: 5.4 N·m (55 kgf·cm, 48 in·lbf)
- (b) Align the matchmakers on the wiper link and wiper motor, then install the nut.
Torque: 5.5 N·m (56 kgf·cm, 49 in·lbf)
- (c) Connect the wiper link to the wiper motor.



3. INSTALL WIPER LINK ASSEMBLY

- (a) Install the wiper link assembly and fasten the 5 bolts.
Torque: 5.5 N·m (56 kgf·cm, 49 in·lbf)
- (b) Connect the connector.



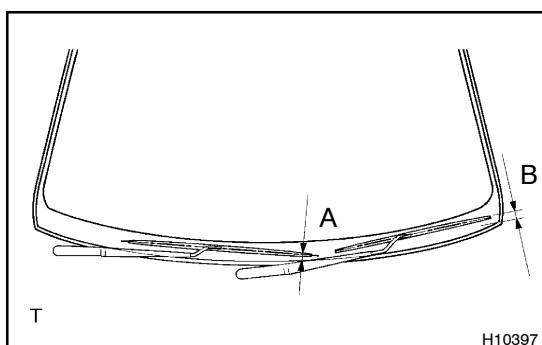
4. INSTALL COWL TOP VENTILATOR LOUVER

Install the cowl top ventilator louver with the 2 clips.

5. INSTALL HOOD TO COWL TOP SEAL

6. INSTALL WIPER ARMS

- (a) Operate the wipers once and turn the wiper switch OFF.
- (b) Install the wiper arms and tighten the nuts by hand.



- (c) Adjust the installation positions of the wiper arms to the positions as shown in the illustration.

A: 20.0 mm (0.787 in.)

B: Europe: 25.0 mm (0.984 in.)

Australia: 28.0 mm (1.102 in.)

- (d) Torque the nuts.

Torque: 26 N·m (265 kgf·cm, 19 ft·lbf)