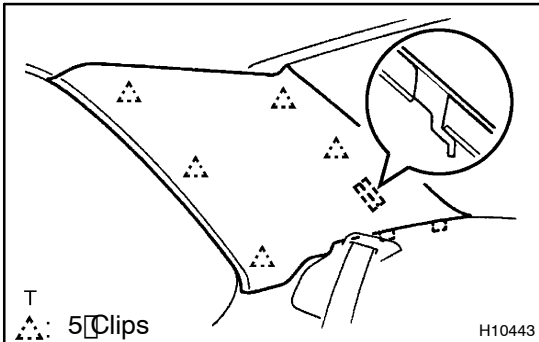


REMOVAL

1. REMOVE REAR SEAT CUSHION (See page BO-142)
2. REMOVE REAR SEATBACK (See page BO-142)
3. REMOVE UPPER PART OF REAR DOOR OPENING TRIMS



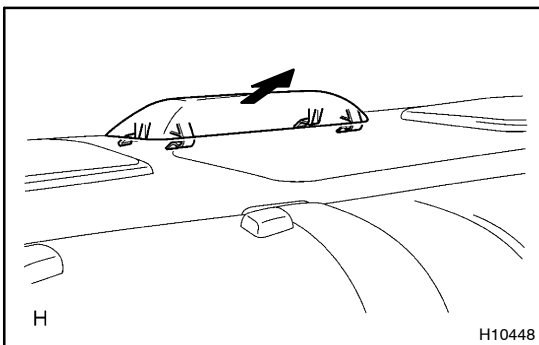
4. REMOVE ROOF SIDE INNER GARNISH

- (a) Using a screwdriver, disengage the clips.

HINT:

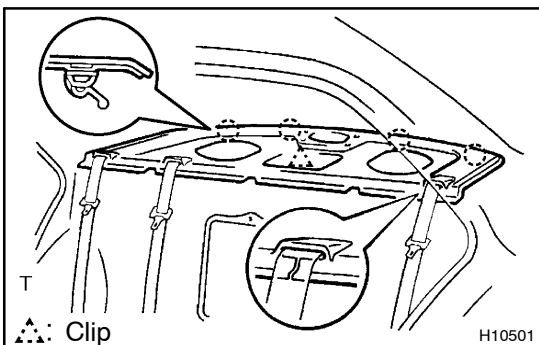
Tape the screwdriver tip before use.

- (b) Pull the garnish upward to remove it.
- (c) Employ the same manner described above to the other side.



5. REMOVE HIGH-MOUNTED STOP LIGHT

- (a) Remove the high-mounted stop light as shown in the illustration.
- (b) Disconnect the connector.



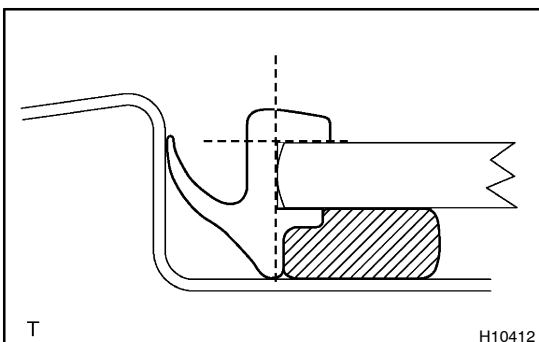
6. REMOVE PACKAGE TRAY TRIM PANEL

- (a) Pull the package tray trim panel upward to disengage the clips.
- (b) Remove the rear seat outer belts through the cutout on the package tray trim.
- (c) Pull the package tray trim panel forward to remove it.

7. REMOVE REAR ASSIST GRIPS

8. REMOVE REAR PART OF ROOF HEADLINING

Remove the 2 clips.



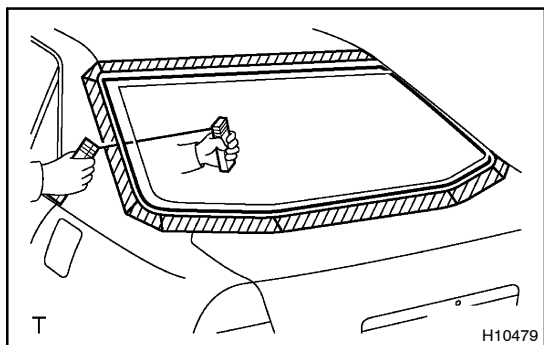
9. REMOVE BACK WINDOW OUTSIDE MOULDING

- (a) Using a knife, cut off the moulding as shown in the illustration.

NOTICE:

Do not damage the body with the knife.

- (b) Remove the remaining moulding.

**10. REMOVE BACK WINDOW GLASS**

- (a) Disconnect the connector.
- (b) Push piano wire through from the interior.
- (c) Tie both wire ends to wooden blocks or similar objects.

HINT:

Apply protective tape to the outer surface to keep the surface from being scratched.

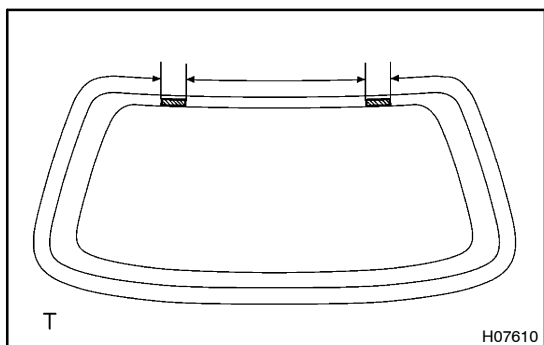
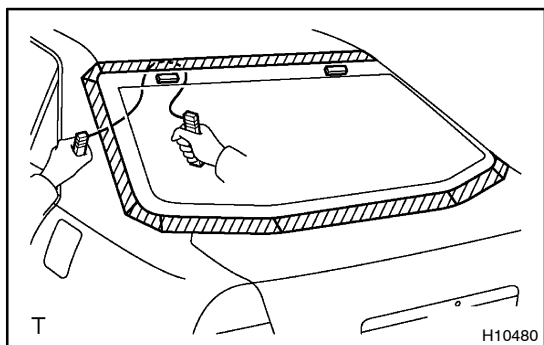
NOTICE:

When separating the glass, take care not to damage the paint and exterior.

- (d) Cut the adhesive by pulling the piano wire around it.

HINT:

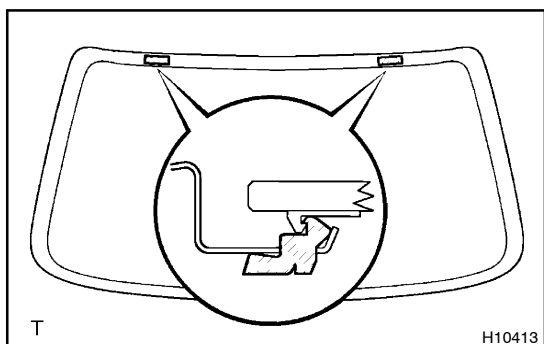
Cut the adhesive areas as shown in the illustration, leaving the adhesive where the stoppers are.



- (e) Let the piano wire pass as shown in the illustration, cut off the adhesive sticking to the stoppers.

NOTICE:

Do not damage the glass stoppers.



- (f) Disengage the stoppers, then remove the glass.

NOTICE:

Leave as much of the adhesive on the body as possible when cutting off the glass.