

INSTALLATION

1. CLEAN AND SHAPE CONTACT SURFACE OF BODY

- (a) Using a knife, cut away any rough areas on the body.

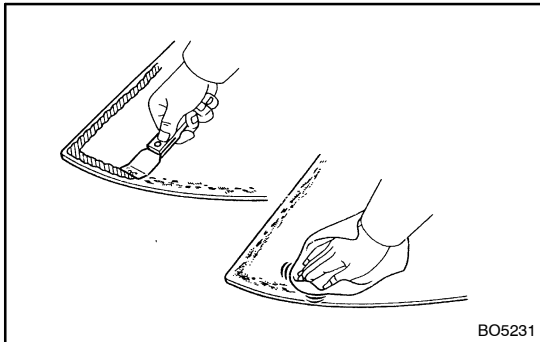
HINT:

Leave as much of the adhesive on the body as possible.

- (b) Clean the cutting surface of the adhesive with a piece of shop rag saturated in cleaner.

HINT:

Even if all the adhesive has been removed, clean the body.



2. CLEAN REMOVED GLASS

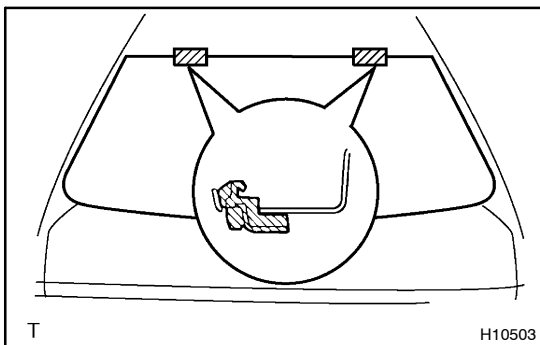
- (a) Remove the damaged No.2 stoppers.

- (b) Using a scraper, remove the adhesive sticking to the glass.

- (c) Clean the glass with cleaner.

NOTICE:

- **Be careful not to damage the glass.**
- **Do not touch the glass face after cleaning it.**



3. REPLACE NO.1 STOPPERS

- (a) Remove the damaged stoppers.

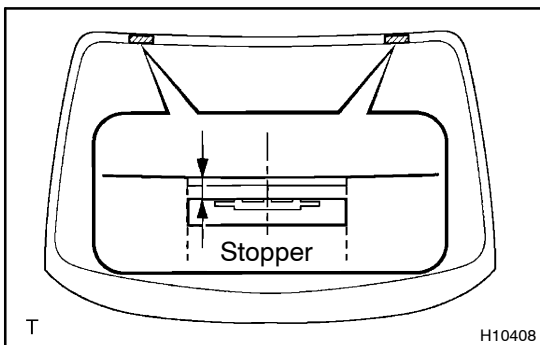
- (b) Cut off the old adhesive around the stoppers installation area.

NOTICE:

Be careful not to damage the body.

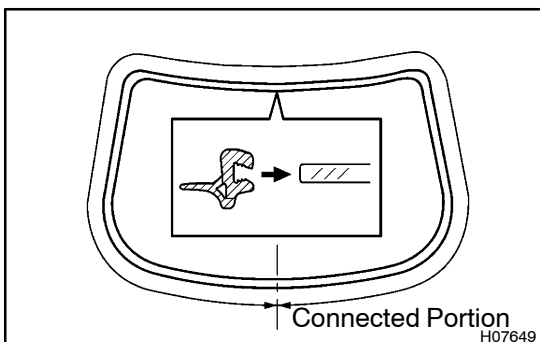
- (c) Clean the installation area.

- (d) Attach new stoppers to the body with the notches on the body aligned with the stoppers as shown in the illustration.



4. INSTALL NEW NO.2 STOPPERS

Attach new stoppers to the glass with the ceramic notches on the glass aligned with the stoppers as shown in the illustration.

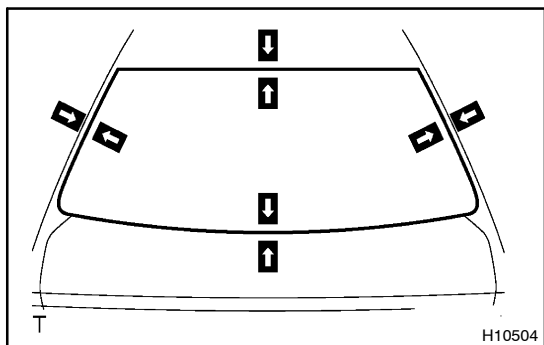


5. INSTALL NEW BACK WINDOW OUTSIDE MouldING

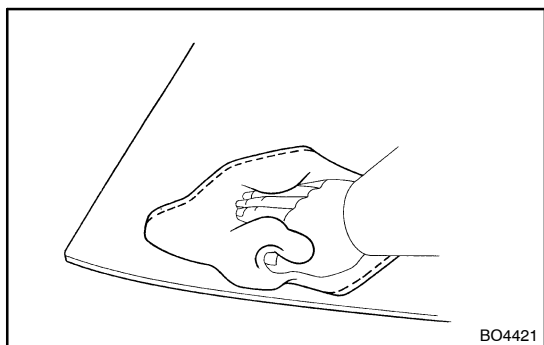
Install new back window outside moulding to the back window glass as shown in the illustration.

HINT:

- Install the back window outside moulding from the center of the glass at the lower side of the vehicle.
- When installing the back window outside moulding, do not stretch it.

**6. POSITION GLASS**

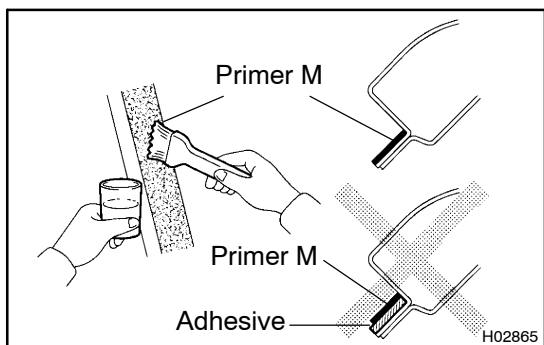
- Place the glass in the correct position.
- Check that all contacting parts of the glass rim are perfectly even.
- Place reference marks between the glass and body.
- Remove the glass.

**7. CLEAN CONTACT SURFACE OF GLASS**

Using a cleaner, clean the contact surface which is black-colored area around the entire glass rim.

NOTICE:

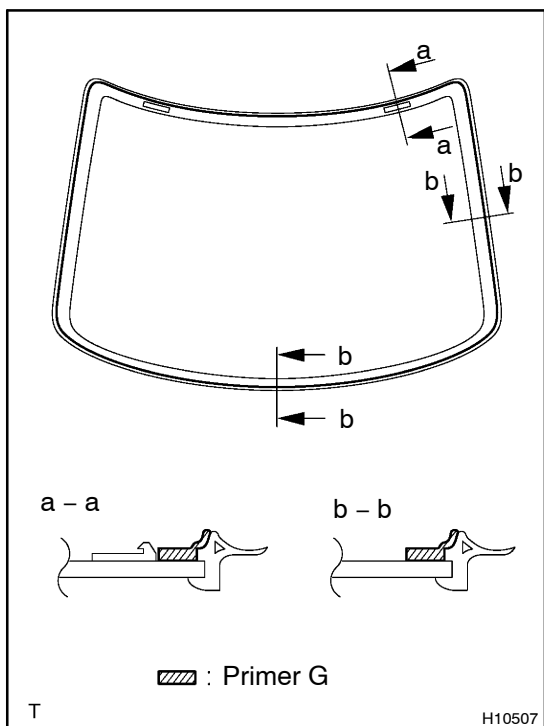
Do not touch the glass face after cleaning it.

**8. COAT CONTACT SURFACE OF BODY WITH PRIMER "M"**

Using a brush, coat Primer M to the exposed part of body on the vehicle side.

NOTICE:

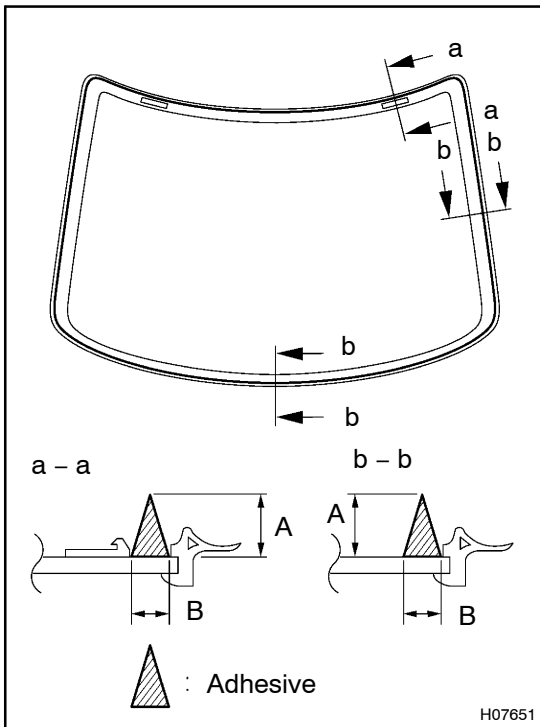
- Let the primer coating dry for 3 minutes or more.
- Do not coat Primer M to the adhesive.
- Do not keep any of the opened Primer M for later use.

**9. COAT CONTACT SURFACE OF GLASS WITH PRIMER "G"**

- Using a brush or sponge, coat the edge of the glass and the contact surface with Primer G as shown in the illustration.
- When the primer is coated wrongly to the area other than the specified, wipe it off with a clean shop rag before the primer dries.

NOTICE:

- Let the primer coating dry for 3 minutes or more.
- Do not keep any of the opened Primer G for later use.



10. APPLY ADHESIVE

(a) Cut off the tip of the cartridge nozzle.

Part No. 08850-00801 or equivalent

HINT:

After cutting off the tip, use all adhesive within the time described in the table below.

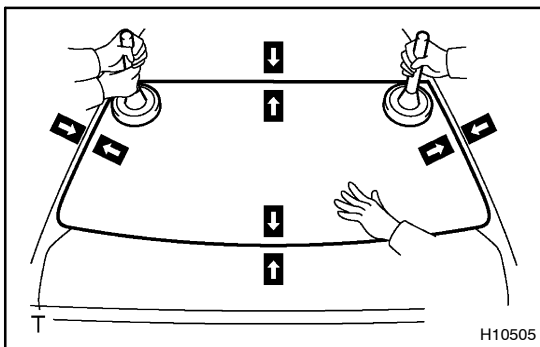
| Temperature | Tackfree time |
|---------------|---------------|
| 35 °C (95 °F) | 15 minutes |
| 20 °C (68 °F) | 100 minutes |
| 5 °C (41 °F) | 8 hours |

(b) Load the cartridge into the sealer gun.

(c) Coat the glass with adhesive as shown in the illustration.

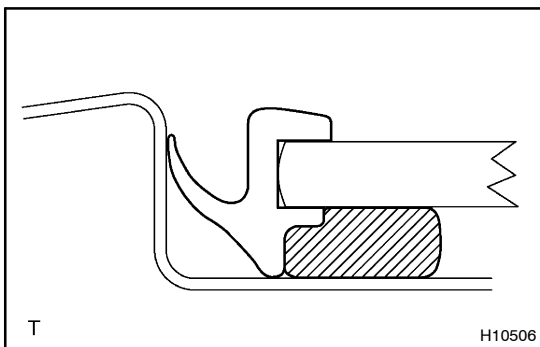
A: 12.5 mm (0.492 in.)

B: 8.0 mm (0.315 in.)



11. INSTALL GLASS

(a) Position the glass so that the reference marks are lined up, and press in gently along the rim.



HINT:

Confirm that the moulding is attached to the body panel as shown in the illustration.

(b) Hold the back window glass in place securely with a protective tape or equivalent until the adhesive hardens.

NOTICE:

Take care not to drive the vehicle during the time described in the table below.

| Temperature | Minimum time prior to driving the vehicle |
|---------------|---|
| 35 °C (95 °F) | 1.5 hours |
| 20 °C (68 °F) | 5 hours |
| 5 °C (41 °F) | 24 hours |

12. INSPECT FOR LEAK AND REPAIR

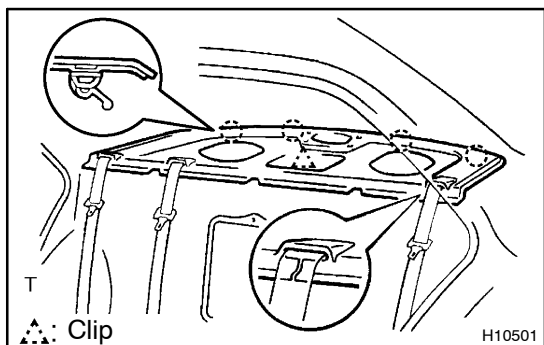
(a) Conduct a leak test after the hardening time has elapsed.

(b) Seal any leak with sealant.

Part No. 08833-00030 or equivalent

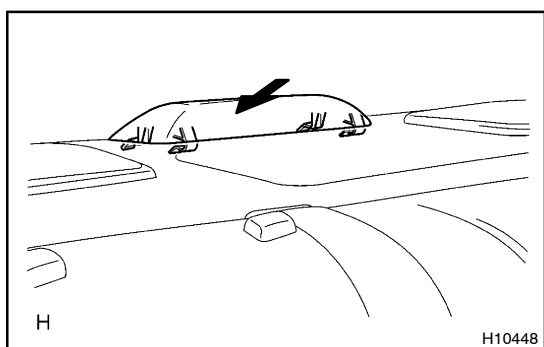
13. INSTALL REAR PART OF ROOF HEADLINING

Install the 2 clips.

14. INSTALL REAR ASSIST GRIPS**15. INSTALL PACKAGE TRAY TRIM PANEL**

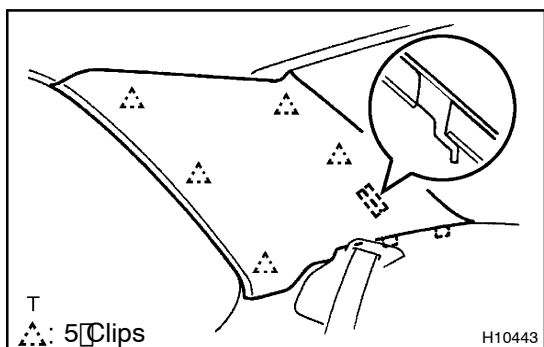
(a) Install the seat belt through the cutout of the package tray trim.

(b) Install the package tray trim as shown in the illustration.

**16. INSTALL HIGH-MOUNTED STOP LIGHT**

(a) Connect the connector.

(b) Install the high-mounted stop light as shown in the illustration.

**17. INSTALL ROOF SIDE INNER GARNISH**

(a) Install the roof side inner garnish as shown in the illustration.

(b) Employ the same manner described above to the other side.

18. INSTALL UPPER PART OF REAR DOOR OPENING TRIMS

19. INSTALL REAR SEATBACK (See page BO-146)

20. INSTALL REAR SEAT CUSHION (See page BO-146)