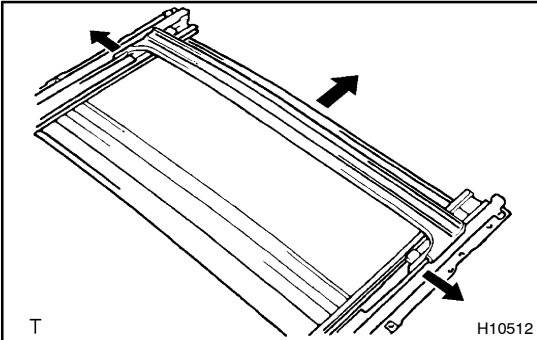


DISASSEMBLY

1. REMOVE GUIDE RAIL STOPPER

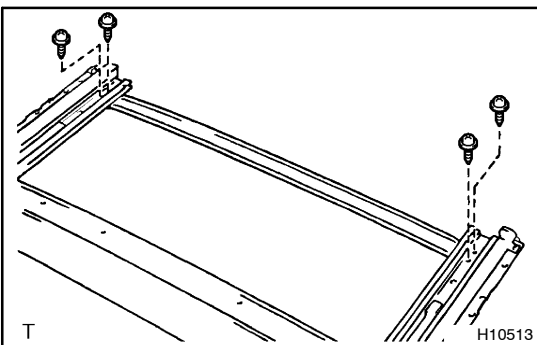
- (a) Remove the screw and stopper.
- (b) Employ the same manner described above to the other side.

2. REMOVE SUNSHADE TRIM



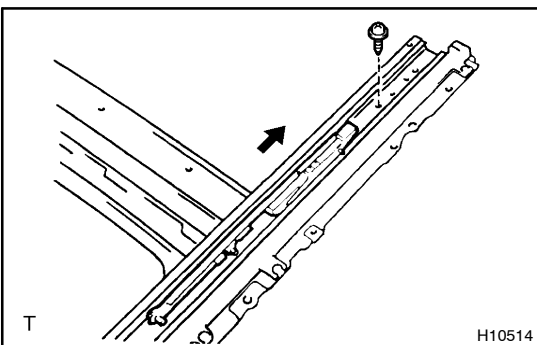
3. REMOVE REAR ROOF DRIP CHANNEL

Remove the rear roof drip channel as shown in the illustration.



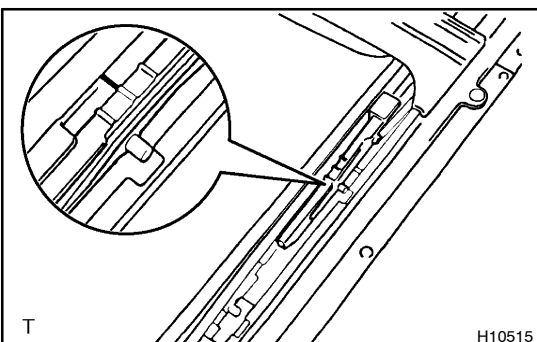
4. REMOVE REAR FRAME

Remove the 4 screws and rear frame.



5. REMOVE DRIVE CABLE

- (a) Remove the screw and sliding roof panel stopper.
- (b) Slide the drive cable rearward, then remove it.
- (c) Employ the same manner described above to the other side.

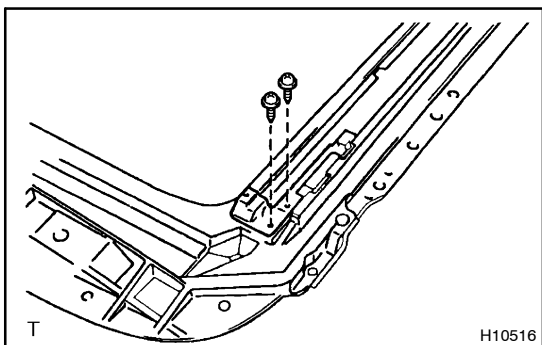


HINT:

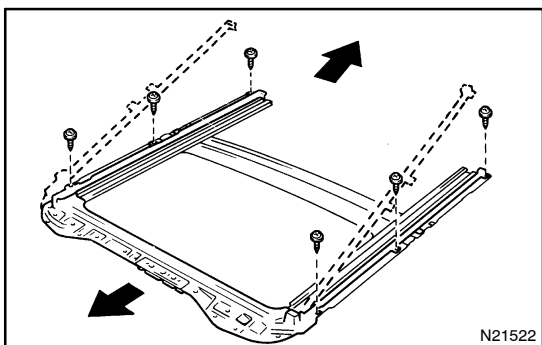
At the time of reassembly, please refer to the following items.

- Adjust the drive cable to a closed and tilted down position.
- Slide the cable forward or backward to align the 2 marks as shown in the illustration.
- Slide the cable to the forefront with your hand.

6. REMOVE ROOF WIND DEFLECTOR PANEL

**7. REMOVE GUIDE BLOCK**

- (a) Remove the 2 screws and guide block.
- (b) Employ the same manner described above to the other side.

8. REMOVE 2 CUSHIONS**9. REMOVE SLIDING ROOF HOUSING**

Remove the 6 screws and sliding roof housing.