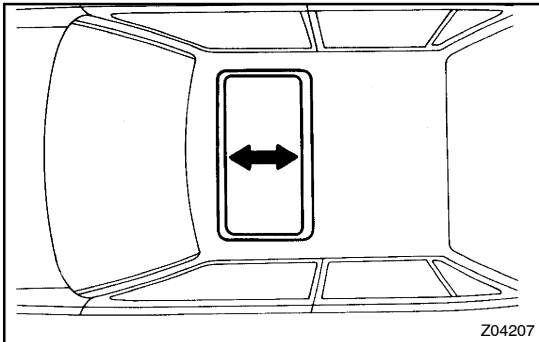


## ADJUSTMENT

### 1. REMOVE SIDE GARNISH

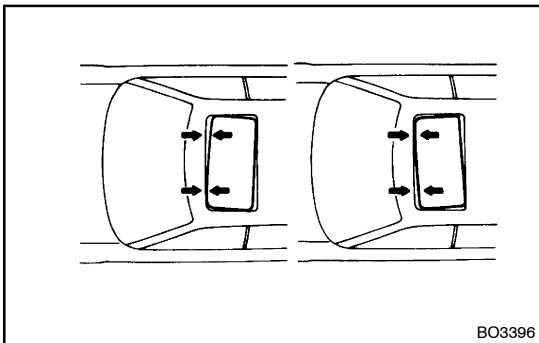
#### HINT:

- Tape the screwdriver tip before use.
  - After adjustment, reinstall the side garnishes.
- (a) Before making adjustments, using a screwdriver, remove the side garnish.
  - (b) Employ the same manner described above to the other side.



### 2. TO ADJUST FORWARD OR REARWARD

- (a) Loosen the sliding roof glass installation nuts.
- (b) Adjust the sliding roof glass forward and rearward.



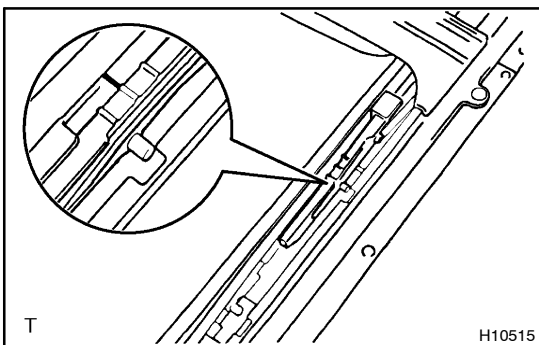
### 3. TO ADJUST CLEARANCE

#### (Difference in left and right clearance)

- (a) When the front or rear alignment is not correct, remove the drive gear and sliding roof glass, then adjust the drive rail.

#### NOTICE:

**Remove the drive gear with sliding roof fully closed.**



- (b) Adjust by sliding the cable forward or rearward to align the 2 marks as shown in the illustration.
- (c) Install the drive gear and sliding roof glass.