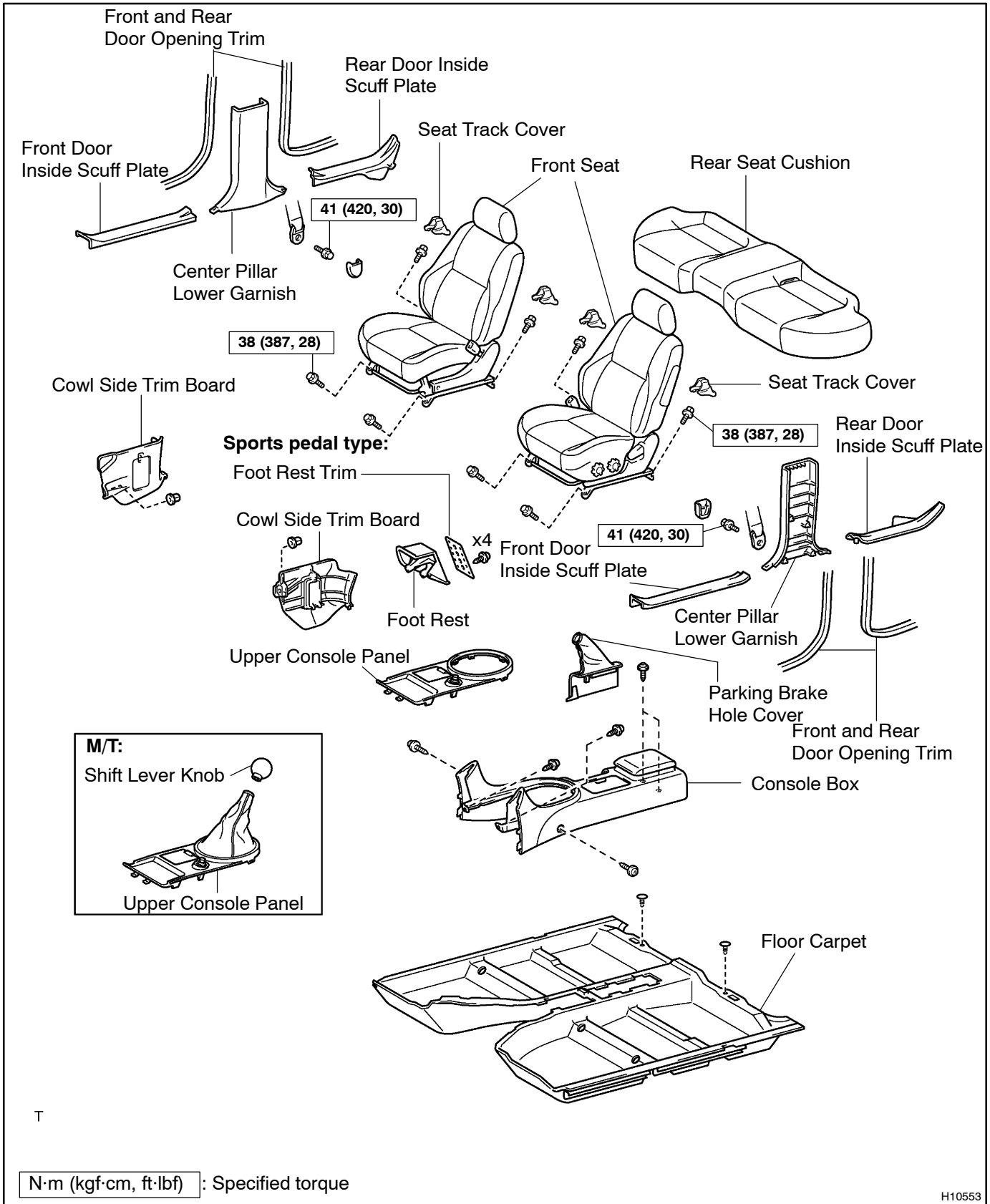


FLOOR CARPET COMPONENTS

B00W1-04



T

N·m (kgf·cm, ft·lbf) : Specified torque

H10553