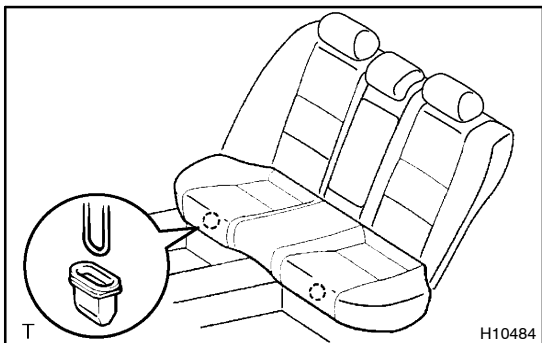


## REMOVAL

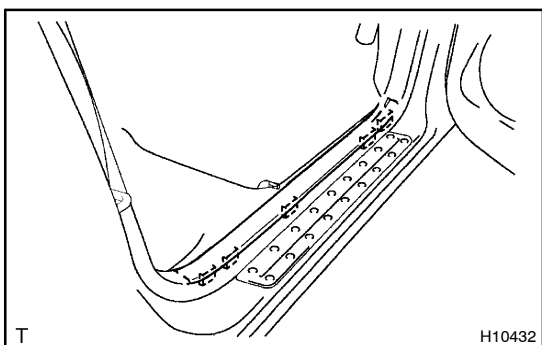
### 1. REMOVE FRONT SEAT

(See page BO-119 and BO-130)



### 2. REMOVE REAR SEAT CUSHION

Pull up the front portion of the seat cushion, then remove it.



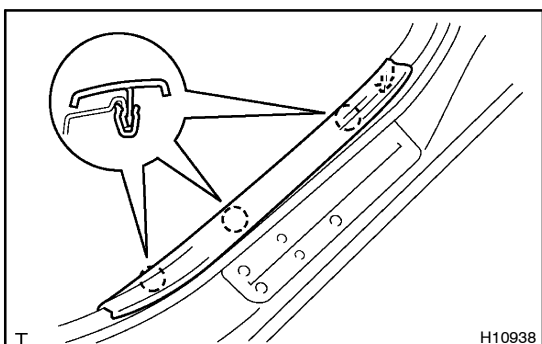
### 3. REMOVE FRONT DOOR INSIDE SCUFF PLATE

- (a) Using a screwdriver, remove the front door inside scuff plate.

HINT:

Tape the screwdriver tip before use.

- (b) Employ the same manner described above to the other side.



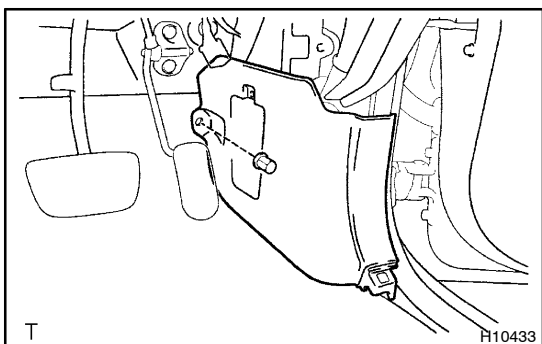
### 4. REMOVE REAR DOOR INSIDE SCUFF PLATE

- (a) Using a screwdriver, remove the rear door inside scuff plate.

HINT:

Tape the screwdriver tip before use.

- (b) Employ the same manner described above to the other side.



### 5. REMOVE COWL SIDE TRIM BOARD

- (a) Remove the clip and cowl side trim board.  
 (b) Employ the same manner described above to the other side.

### 6. REMOVE FRONT DOOR OPENING TRIMS

### 7. REMOVE REAR DOOR OPENING TRIMS

**8. REMOVE FRONT SEAT OUTER BELT FLOOR ANCHORS**

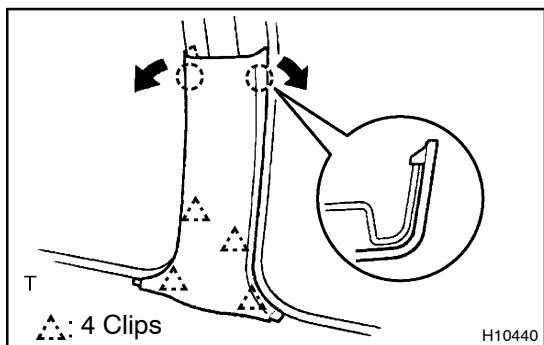
- (a) Using a screwdriver, remove the floor anchor cover caps.

HINT:

Tape the screwdriver tip before use.

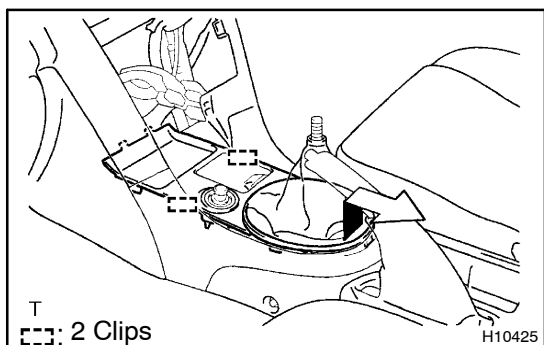
- (b) Remove the 2 bolts and floor anchors.

**Torque: 41 N·m (420 kgf·cm, 30 ft·lbf)**

**9. REMOVE CENTER PILLAR LOWER GARNISH**

- (a) Remove the center pillar lower garnish as shown in the illustration.

- (b) Employ the same manner described above to the other side.

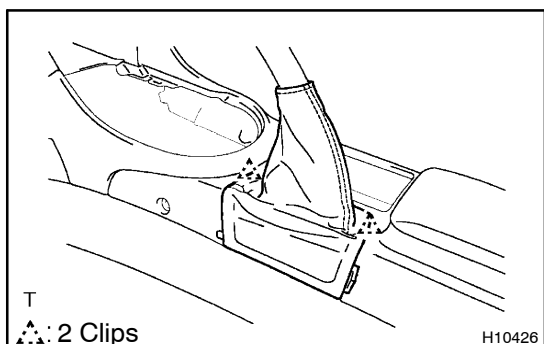
**10. M/T:****REMOVE SHIFT LEVER KNOB****11. REMOVE UPPER CONSOLE PANEL**

- (a) Using a screwdriver, remove the upper console panel.

HINT:

Tape the screwdriver tip before use.

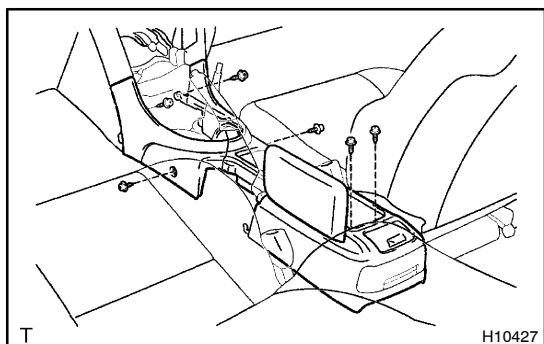
- (b) Disconnect the connector.

**12. REMOVE PARKING BRAKE HOLE COVER**

Using a screwdriver, remove the parking brake hole cover.

HINT:

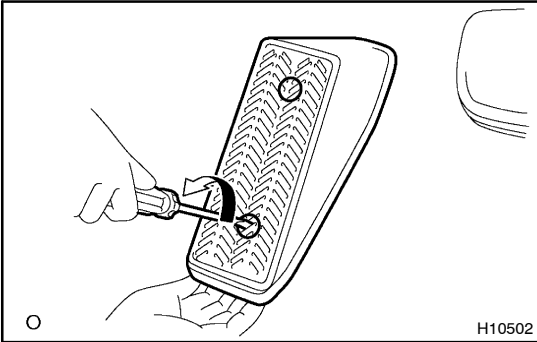
Tape the screwdriver tip before use.

**13. REMOVE CONSOLE BOX**

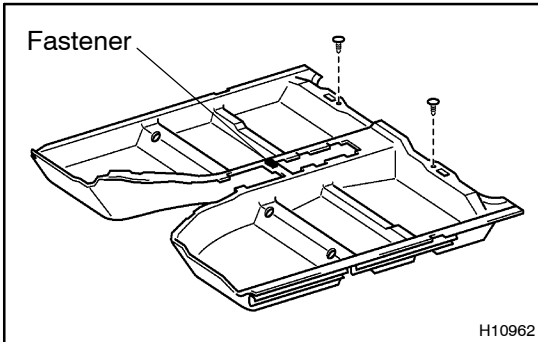
- (a) Remove the 6 screws.  
(b) Pull the console box rearward to remove it.

**14. REMOVE FOOT REST**

- (a) Sport pedal type:  
Remove the 4 screws and foot rest trim.



- (b) Using a screwdriver, remove the foot rest as shown in the illustration.



## 15. REMOVE FLOOR CARPET

- (a) Peel off the fastener.
- (b) Remove the 2 clips.
- (c) Disengage the hooks and remove the floor carpet.

### NOTICE:

**Be careful not to pull the wire harness.**

### HINT:

At the time of installation, please refer to the following items.

- When installing the floor mat, pull out the wire harness and levers through the cutout of the floor carpet.
- There should be no wrinkles or folds after attaching the floor carpet.