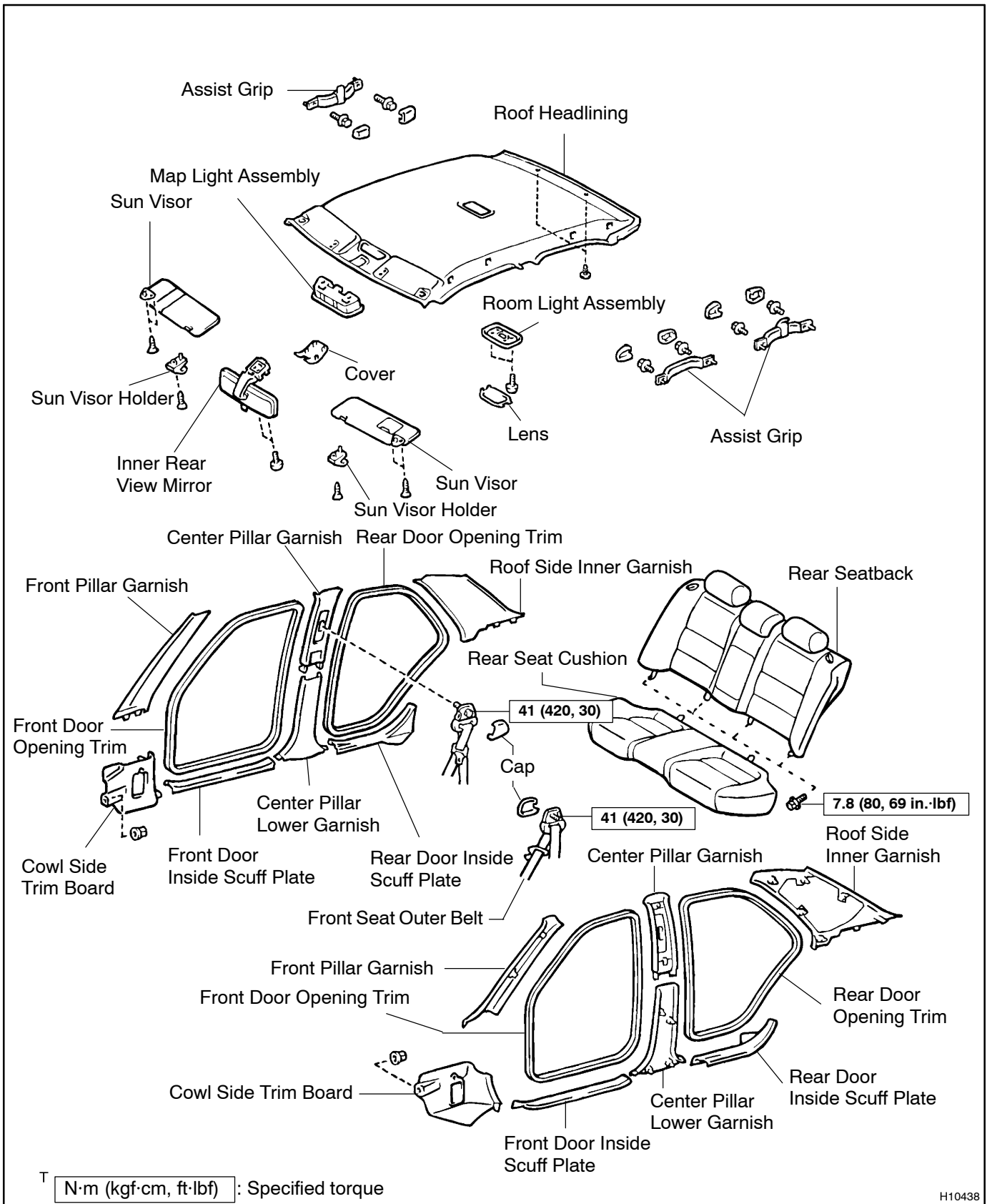


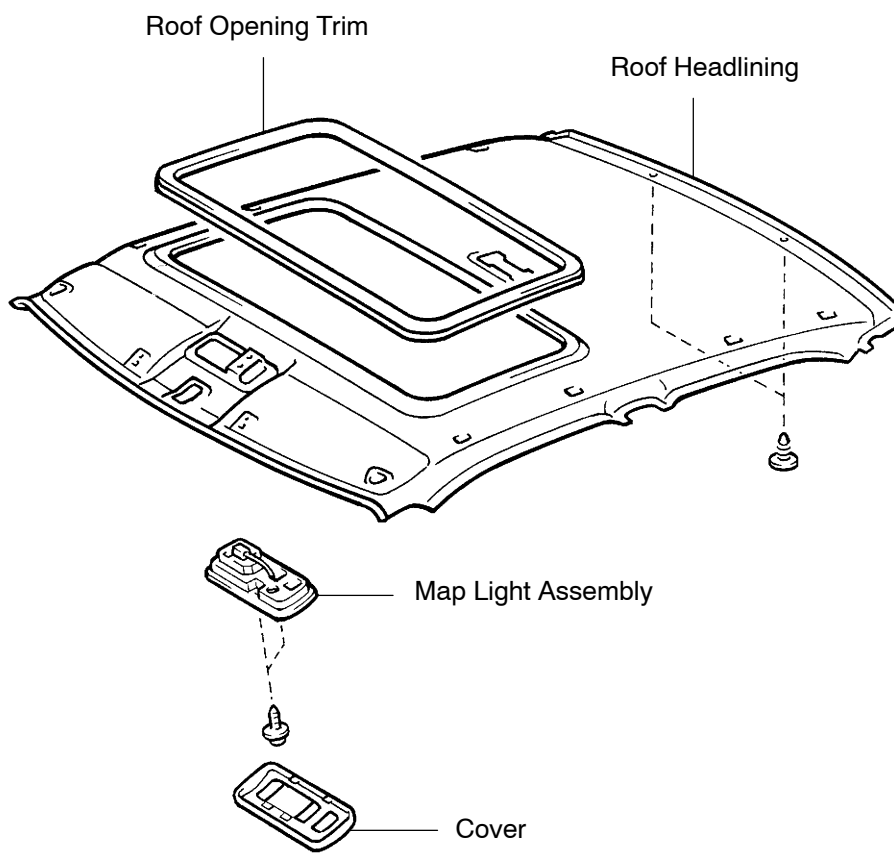
ROOF HEADLINING COMPONENTS

B02CZ-01



H10438

w/ Sliding roof:



0

H10439