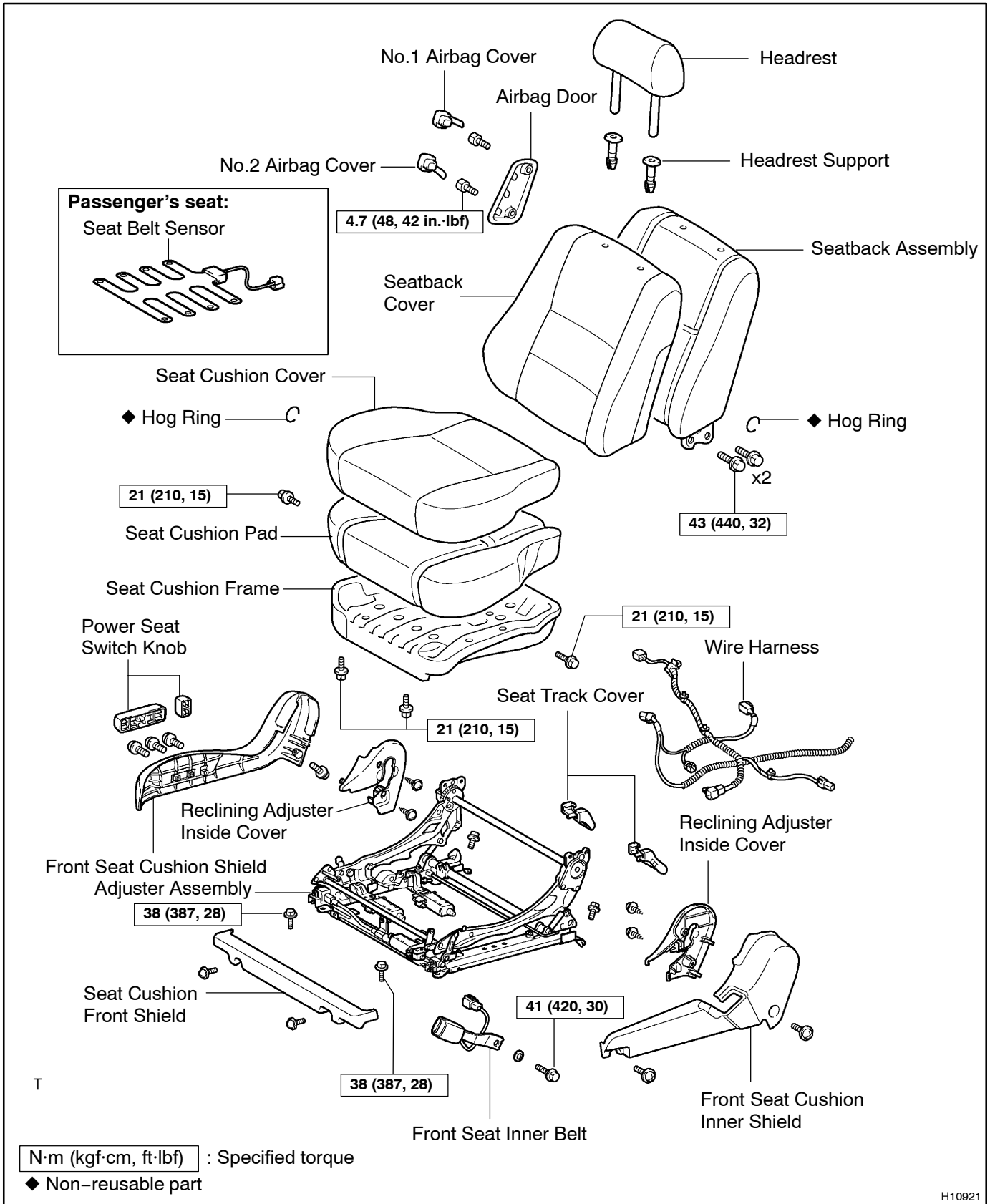


FRONT SEAT (Power Adjuster Type) COMPONENTS

BO2D2-01



H10921

