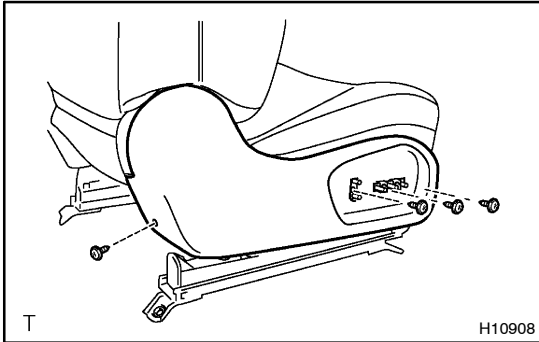
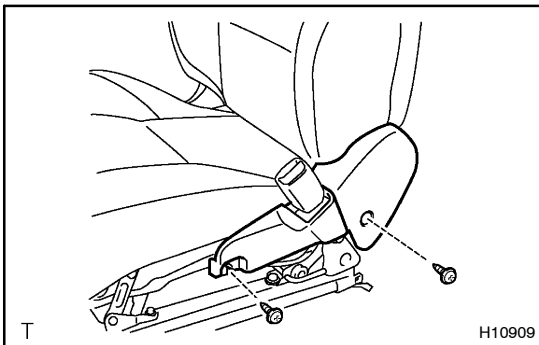


## DISASSEMBLY

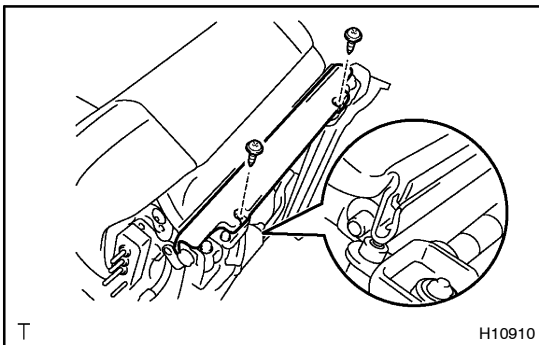
1. REMOVE HEADREST
2. REMOVE POWER SEAT SWITCH KNOB



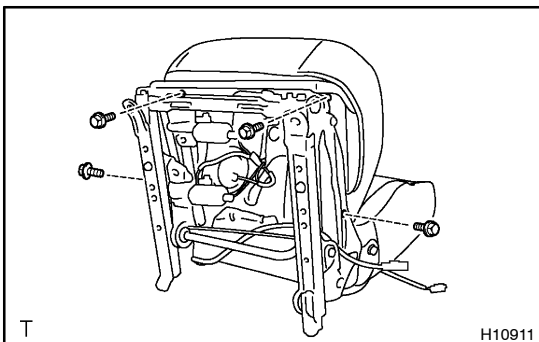
3. REMOVE FRONT SEAT CUSHION SHIELD  
Remove the 4 screws and front seat cushion shield.



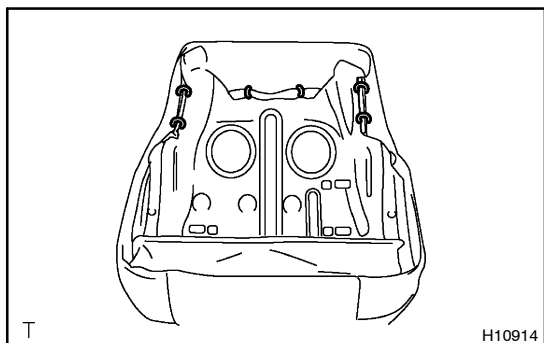
4. REMOVE FRONT SEAT CUSHION INNER SHIELD  
Remove the 2 screws and front seat cushion inner shield.



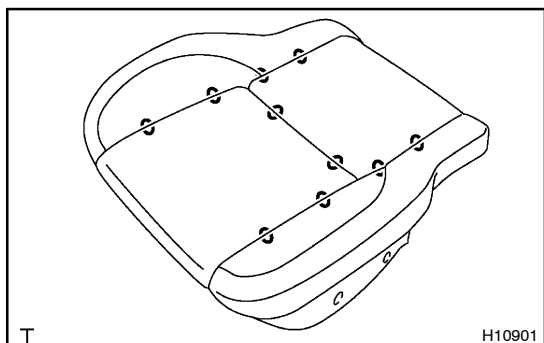
5. REMOVE SEAT CUSHION FRONT SHIELD
  - (a) Remove the 2 screws.
  - (b) Unlatch the seat cushion cover hook, then remove the seat cushion front shield.



6. REMOVE SEAT CUSHION ASSEMBLY
  - (a) Disconnect the connectors and unlatch the wire harness clamps.
  - (b) Remove the 4 bolts and seat cushion assembly with wire harness.
  - (c) Unlatch the wire harness clamps to remove the wire harness from seat cushion assembly.

**7. REMOVE SEAT CUSHION COVER**

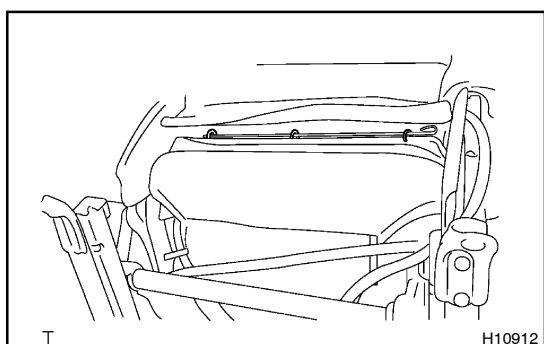
- (a) Remove the 6 hog rings.
- (b) Unlatch the seat cushion cover hooks and remove the seat cushion frame from the seat cushion cover with pad.



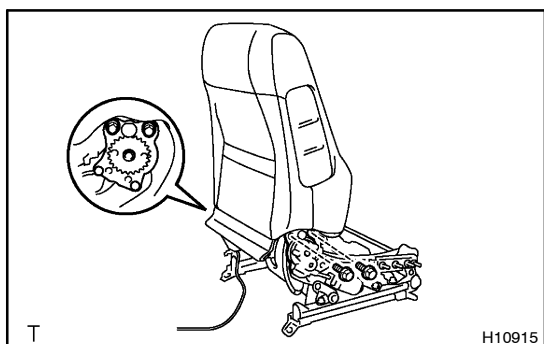
- (c) Remove the hog rings and seat cushion cover from the seat cushion pad.

**8. Passenger's seat:  
REMOVE SEAT BELT SENSOR**

Remove the seat belt sensor from the seat cushion pad.

**9. REMOVE SEATBACK ASSEMBLY**

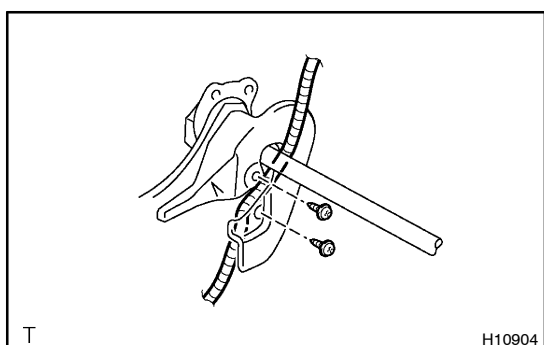
- (a) Remove the 3 hog rings.
- (b) Turn the seatback cover over, then remove the 6 hog rings.



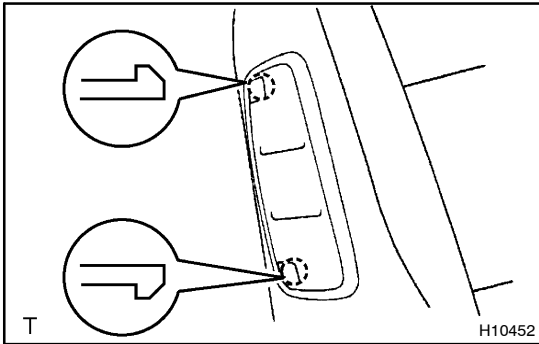
- (c) Remove the 4 seatback assembly set bolts.

**NOTICE:**

**Be careful not to pull the side airbag assembly wire harness.**



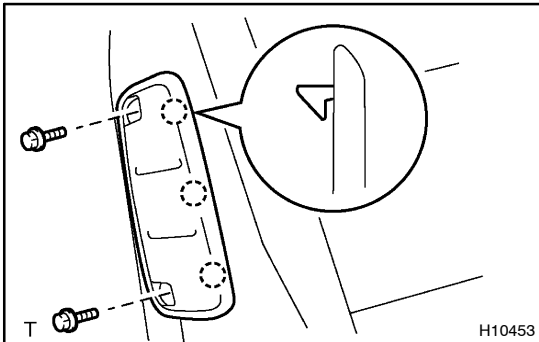
- (d) Remove the 2 screws and reclining adjuster inside cover and employ the same manner described above to the other side.
- (e) Disengage the side airbag assembly wire harness from the reclining adjuster inside cover, then remove the seatback assembly.

**10. REMOVE SEATBACK COVER**

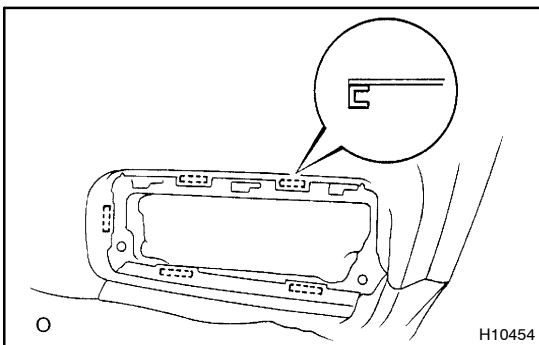
- (a) Using a screwdriver, remove the No.1 and No.2 airbag covers.

HINT:

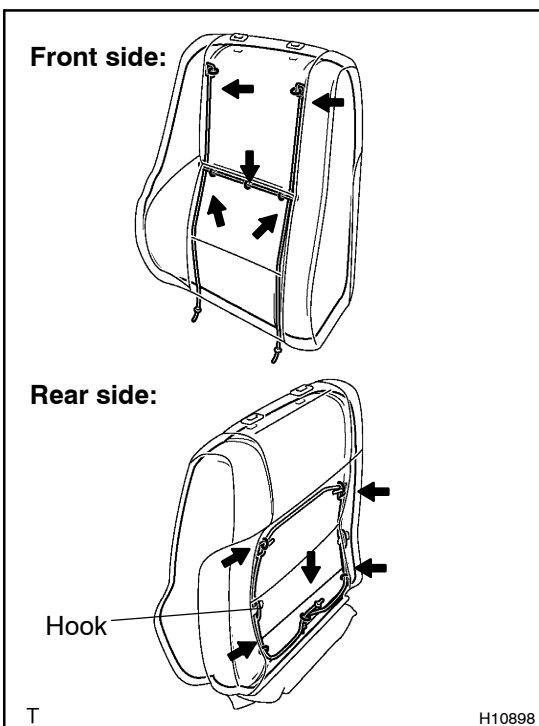
Tape the screwdriver tip before use.



- (b) Remove the 2 bolts.  
 (c) Side the airbag door upward to remove it.



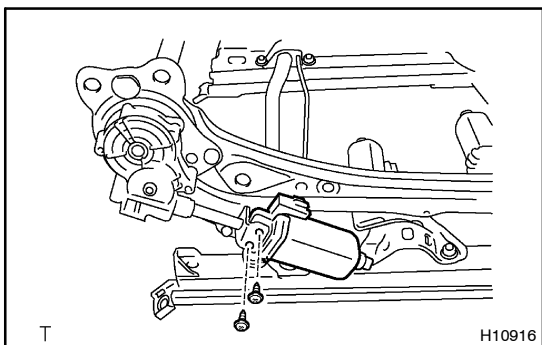
- (d) Disengage the seatback cover hooks circumference of the side airbag assembly.



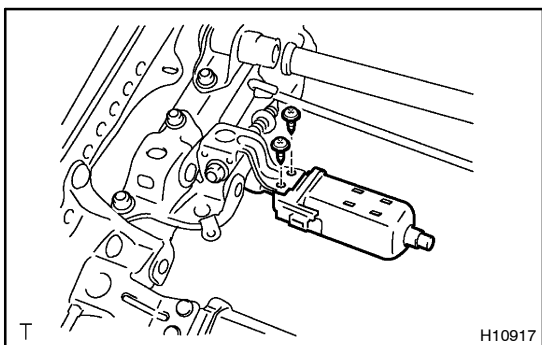
- (e) Remove the 10 hog rings, headrest supports and seatback cover as shown in the illustration.

**11. REMOVE FRONT SEAT INNER BELT**

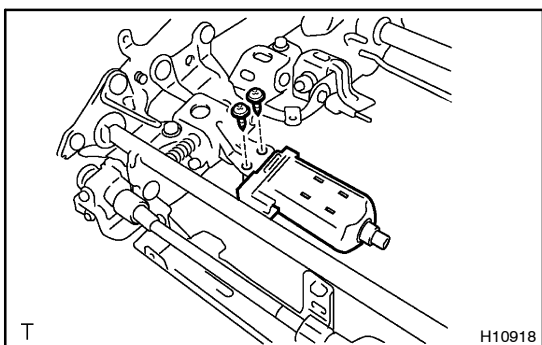
Remove the bolt, washer and front seat inner belt.

**12. REMOVE RECLINING MOTOR**

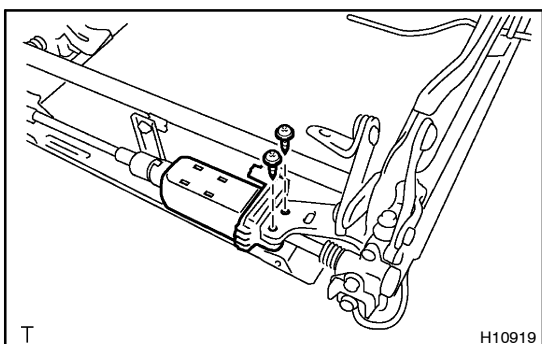
Remove the 2 screws, then disconnect the reclining motor.

**13. REMOVE LIFTER MOTOR**

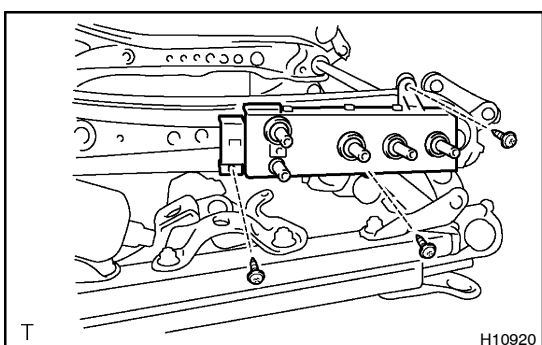
Remove the 2 screws, then disconnect the lifter motor.

**14. REMOVE FRONT VERTICAL MOTOR**

Remove the 2 screws, then disconnect the front vertical motor.

**15. REMOVE SLIDING MOTOR**

Remove the 2 screws, then disconnect the sliding motor.

**16. REMOVE POWER SEAT SWITCH**

Remove the 3 screws and power seat switch.