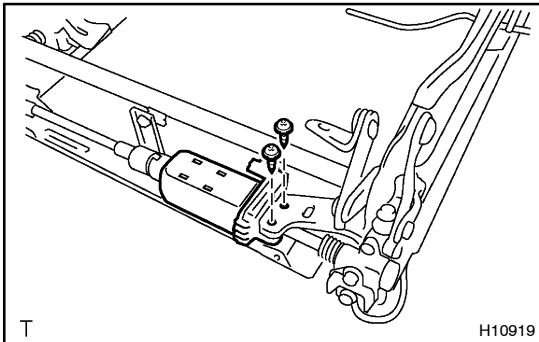


REASSEMBLY

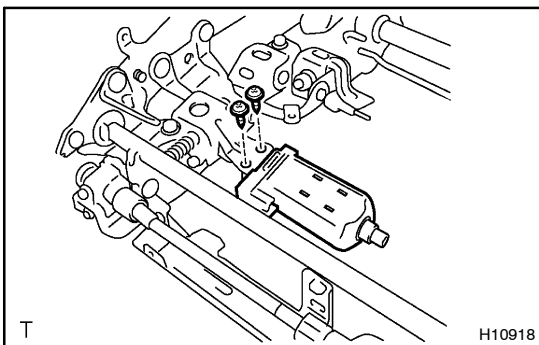
1. INSTALL POWER SEAT SWITCH

Install the power seat switch with the 3 screws.



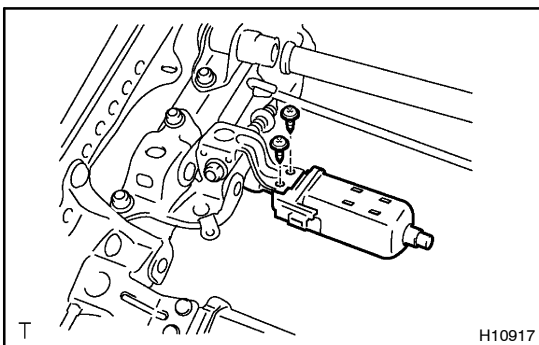
2. INSTALL SLIDING MOTOR

Connect the slide motor to the shaft, then install the 2 screws.



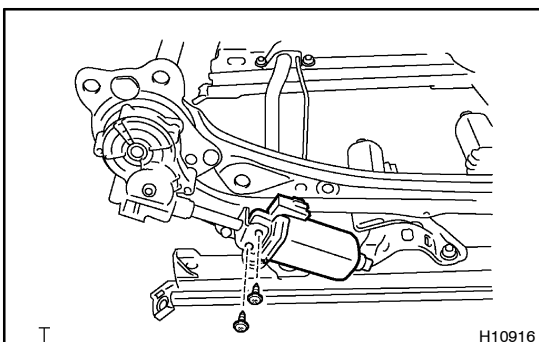
3. INSTALL FRONT VERTICAL MOTOR

Connect the front vertical motor, then install the 2 screws.



4. INSTALL LIFTER MOTOR

Connect the lifter motor, then install the 2 screws.



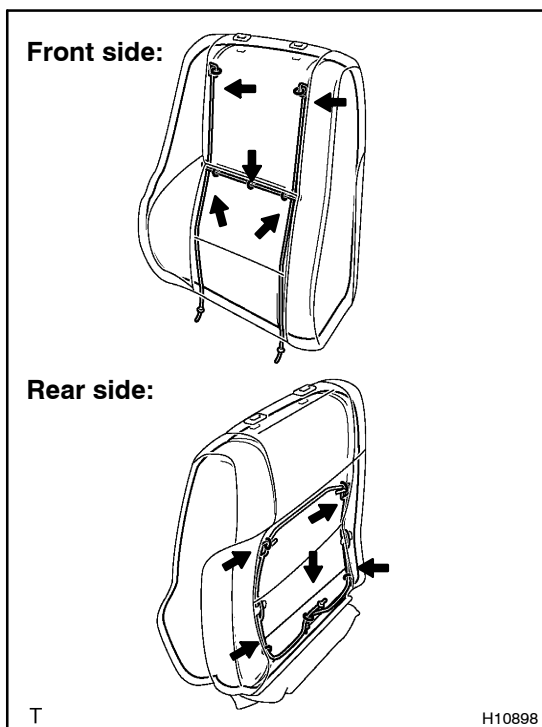
5. INSTALL RECLINING MOTOR

Connect the reclining motor, then install the 2 screws.

6. INSTALL FRONT SEAT INNER BELT

Install the front seat inner belt with the bolt and washer.

Torque: 41 N·m (420 kgf·cm, 30 ft·lbf)



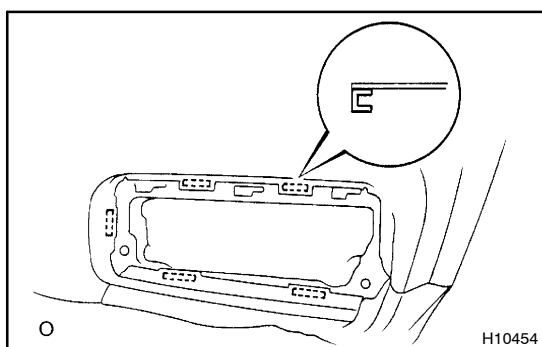
7. INSTALL SEATBACK COVER

- (a) Install the seatback cover with new hog rings.

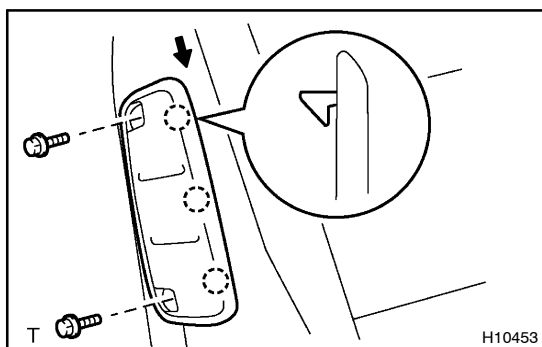
HINT:

When installing the hog rings, take care to prevent wrinkles as little as possible.

- (b) Install the headrest supports.



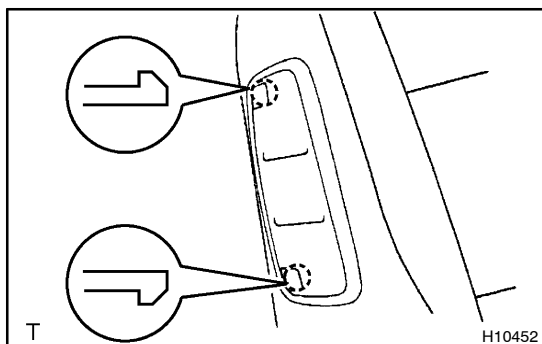
- (c) Hook the seatback cover hooks through the holes in the circumference of the side airbag assembly.



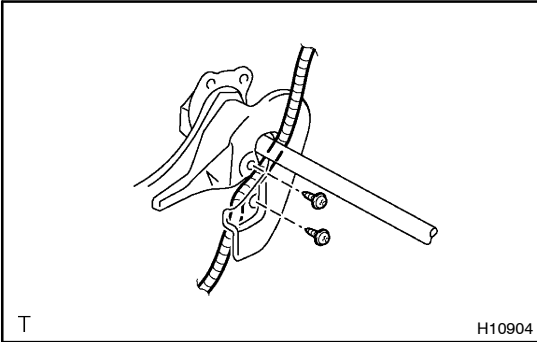
- (d) Slide the airbag door downward to install it.

- (e) Install the 2 bolts.

Torque: 4.7 N·m (48 kgf·cm, 42 in·lbf)



- (f) Install the No.1 and No.2 airbag covers.

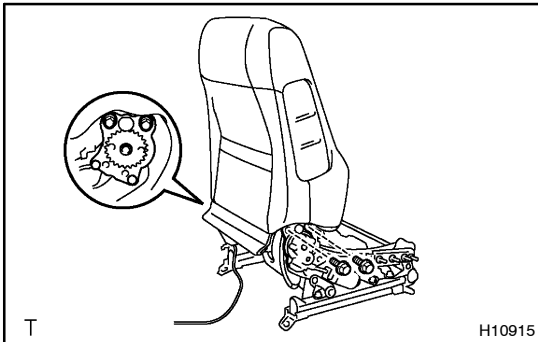


8. INSTALL SEATBACK ASSEMBLY

NOTICE:

Never use the seatback assembly from another vehicle. When replacing parts, replace them with new parts.

- (a) Set the side airbag assembly wire harness to the reclining adjuster inside cover.
- (b) Install the 2 screws and reclining adjuster inside cover and employ the same manner described above to the other side.



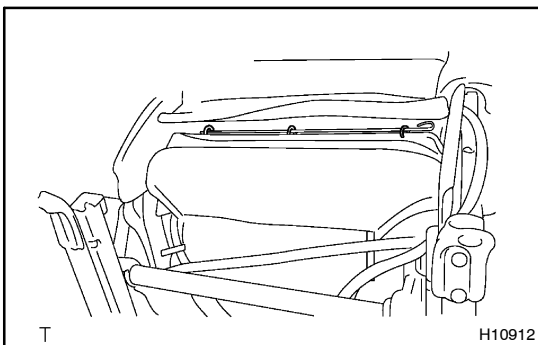
- (c) Install the seatback assembly with the 4 bolts.

Torque: 43 N·m (440 kgf·cm, 32 ft·lbf)

- (d) Turn the seatback cover over, then install 6 new hog rings.

HINT:

When installing the hog rings, take care to prevent wrinkles as little as possible.



- (e) Install 3 new hog rings.

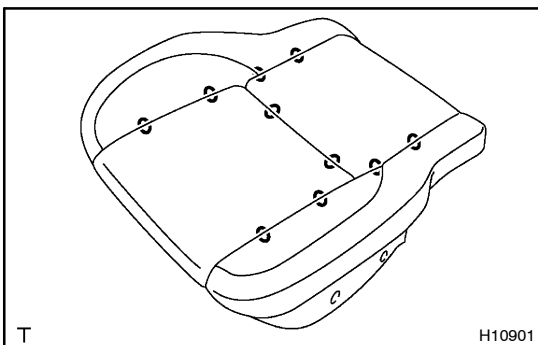
HINT:

When installing the hog rings, take care to prevent wrinkles as little as possible.

9. Passenger's side:

INSTALL SEAT BELT SENSOR

Install the seat belt sensor to the seat cushion pad.

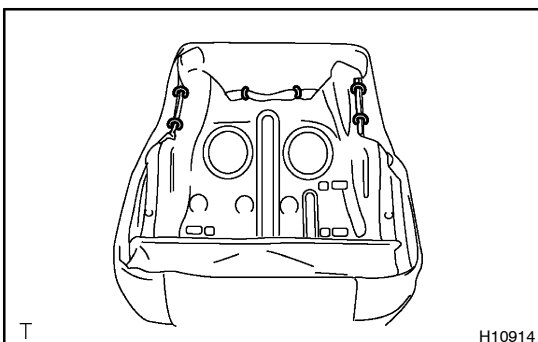


10. INSTALL SEAT CUSHION COVER

- (a) Install the seat cushion cover with new hog rings to the seat cushion pad.

HINT:

When installing the hog rings, take care to prevent wrinkles as little as possible.

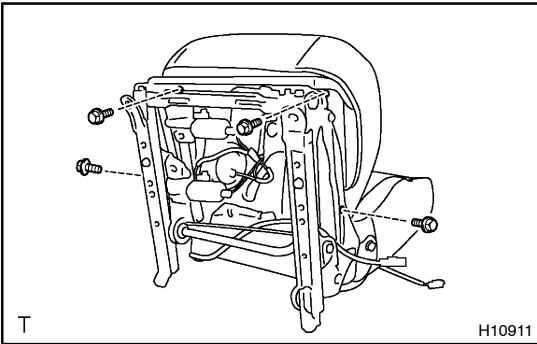


- (b) Latch the seat cushion cover hooks to install the seat cushion cover with pad to the seat cushion pad.

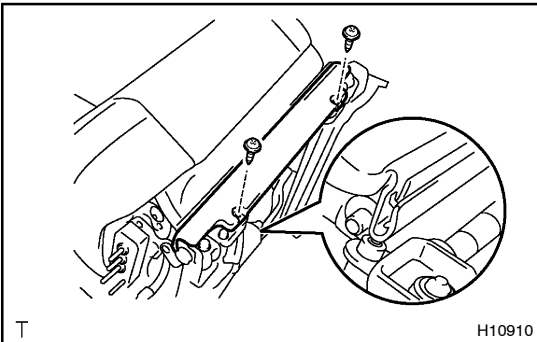
- (c) Install 6 new hog rings.

HINT:

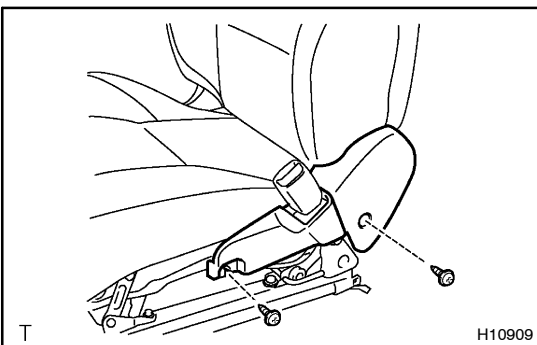
When installing the hog rings, take care to prevent wrinkles as little as possible.

**11. INSTALL SEAT CUSHION ASSEMBLY**

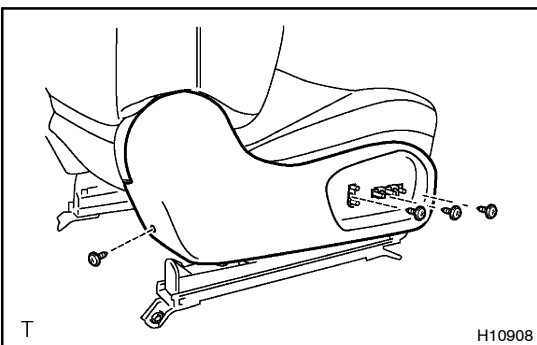
- (a) Install the seat cushion assembly with the 4 bolts.
Torque: 21 N·m (210 kgf·cm, 15 ft·lbf)
- (b) Attach the wire harness clamps.
- (c) Attach the side airbag assembly wire harness clamps.

**12. INSTALL SEAT CUSHION FRONT SHIELD**

- (a) Latch the seat cushion cover hook to the seat cushion front shield.
- (b) Install the seat cushion front shield with the 2 screws.

**13. INSTALL FRONT SEAT CUSHION INNER SHIELD**

Install the front seat cushion inner shield with the 2 screws.

**14. INSTALL FRONT SEAT CUSHION SHIELD**

Install the front seat cushion shield with the 4 screws.

15. INSTALL POWER SEAT SWITCH KNOBS**16. INSTALL HEADREST**