

DISASSEMBLY

1. REMOVE HEADREST

2. REMOVE VERTICAL ADJUSTER KNOBS

Using a screwdriver, remove the 2 clips and 2 vertical adjuster knobs.

HINT:

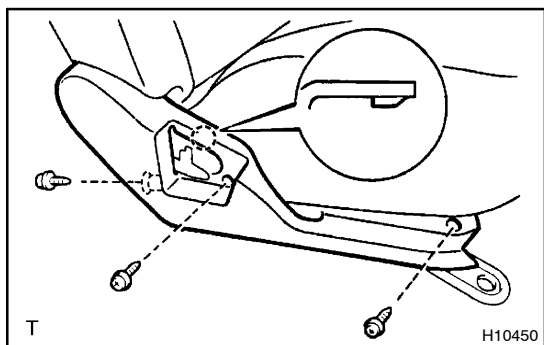
Tape the screwdriver tip before use.

3. REMOVE RECLINING ADJUSTER RELEASE HANDLE

Remove the screw and reclining adjuster release handle.

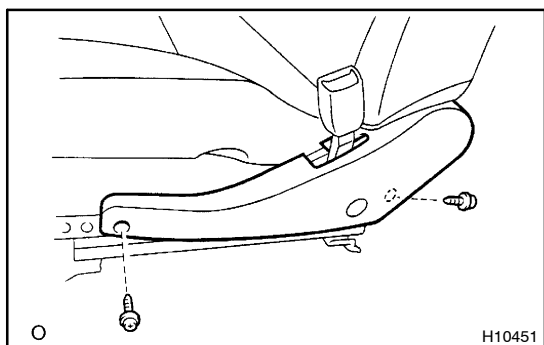
4. REMOVE FRONT SEAT CUSHION SHIELD

Remove the 3 screws and front seat cushion shield.



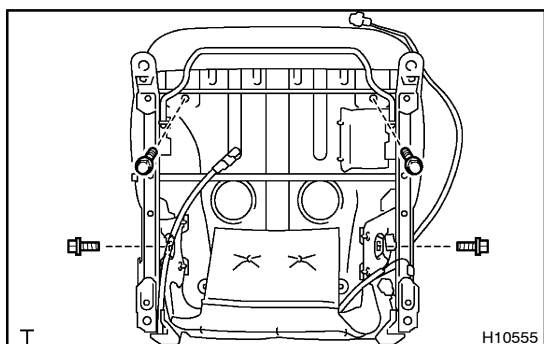
5. REMOVE FRONT SEAT CUSHION INNER SHIELD

Remove the 2 screws and front seat cushion inner shield.



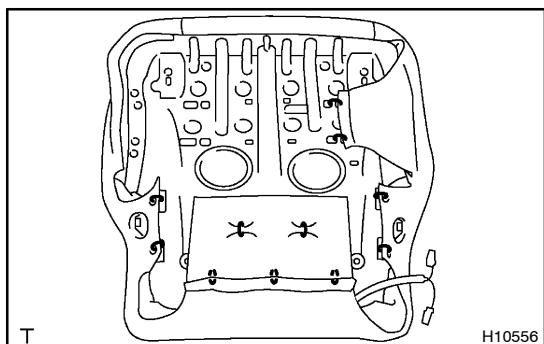
6. REMOVE SEAT CUSHION ASSEMBLY

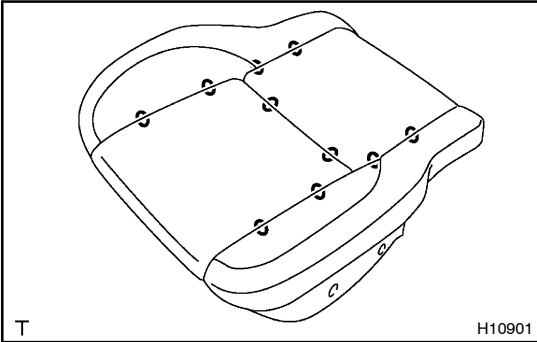
- Unlatch the side airbag assembly wire harness clamps.
- Disengage the wire harness clamp.
- Remove the 4 bolts and seat cushion assembly.



7. REMOVE SEAT CUSHION COVER

- Remove the hog rings.
- Unlatch the seat cushion cover hooks and remove the seat cushion frame from the seat cushion cover with pad.



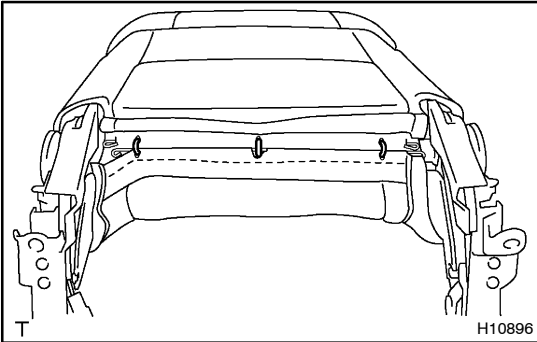


- (c) Remove the hog rings and seat cushion cover from the seat cushion pad.

8. Passenger's side:

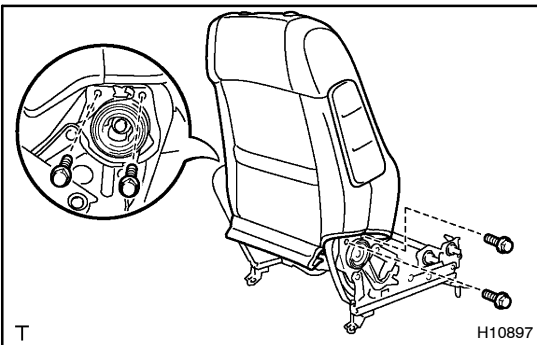
REMOVE SEAT BELT SENSOR

Remove the seat belt sensor from the seat cushion pad.



9. REMOVE SEATBACK ASSEMBLY

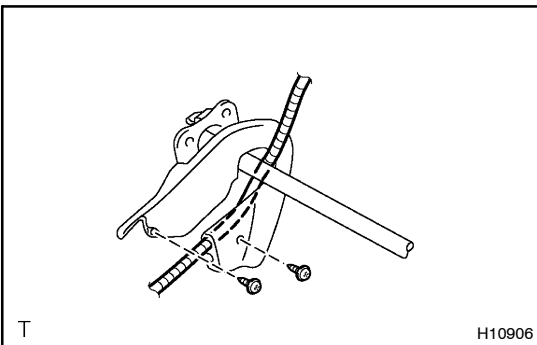
- (a) Remove the 3 hog rings.
 (b) Turn the seatback cover over, then remove the 6 hog rings.



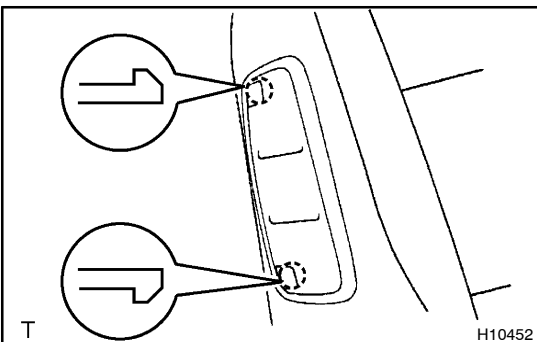
- (c) Remove the 4 seatback assembly set bolts.

NOTICE:

Be careful not to pull the side airbag assembly wire harness.



- (d) Remove the 2 screws and reclining adjuster inside cover and employ the same manner described above to the other side.
 (e) Disengage the side airbag assembly wire harness from the reclining adjuster inside covers, then remove the seatback assembly.

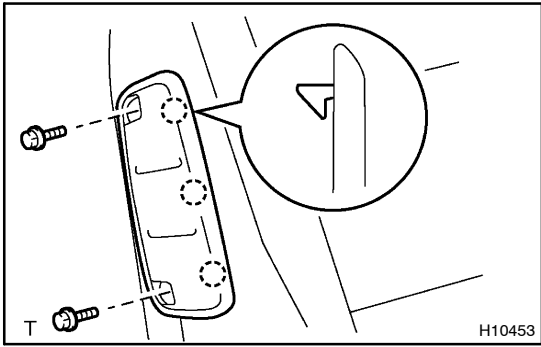


10. REMOVE SEATBACK COVER

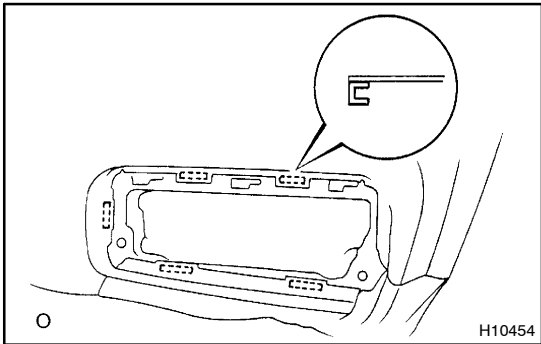
- (a) Using a screwdriver, remove the No.1 and No.2 airbag covers.

HINT:

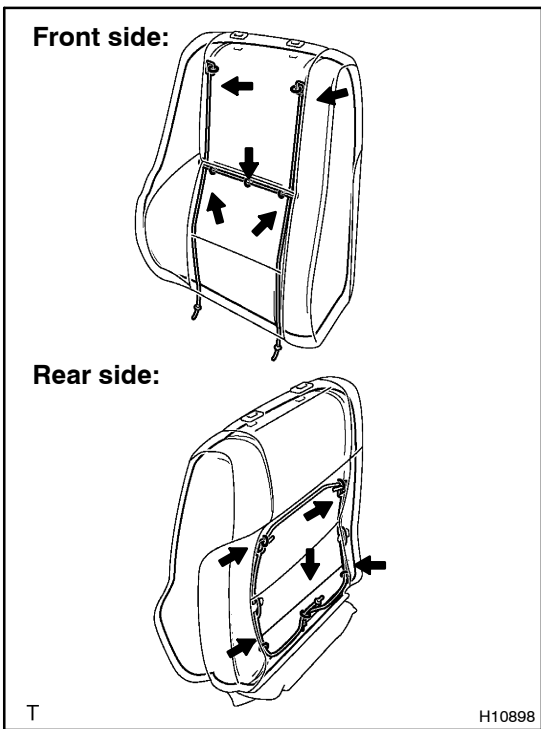
Tape the screwdriver tip before use.



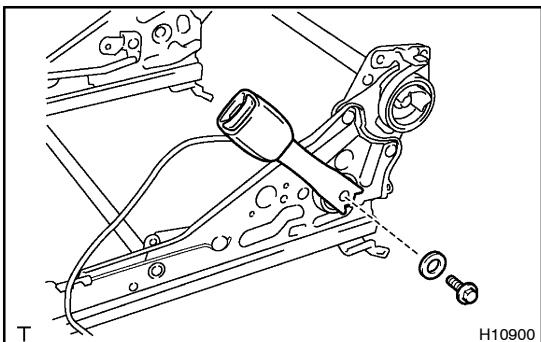
- (b) Remove the 2 bolts.
- (c) Slide the airbag door upward to remove it.



- (d) Unlatch the seatback cover hooks circumference of the side airbag assembly.



- (e) Remove the 10 hog rings, headrest supports and seatback cover as shown in the illustration.



- 11. REMOVE FRONT SEAT INNER BELT**
Remove the bolt, washer and front seat inner belt.

12. REMOVE SEAT TRACK HANDLE

Using a screwdriver, remove the seat track handle.

HINT:

Tape the screwdriver tip before use.

13. REMOVE RECLINING CONNECTING ROD AND PIPE

Remove the 4 nuts, reclining connecting rod and pipe.

14. DISASSEMBLE OUTER TRACK AND INNER TRACK

Using a screwdriver, remove the 2 E-rings from the outer side on the inner track.

HINT:

Tape the screwdriver tip before use.