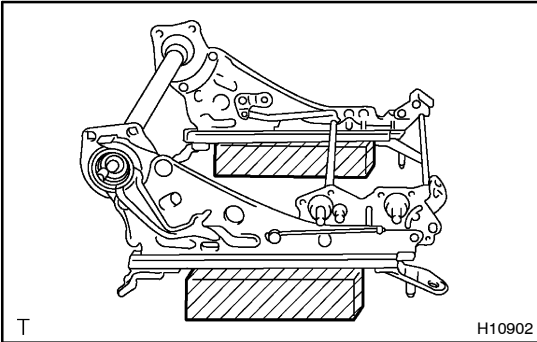


REASSEMBLY

1. ASSEMBLE OUTER TRACK AND INNER TRACK

Assemble the outer track and inner track with 2 new E-rings.



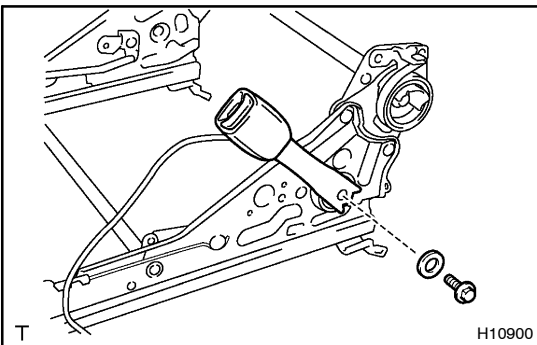
2. INSTALL RECLINING CONNECTING ROD AND PIPE

- (a) Adjust the reclining lock positions of the seat adjusters.
- (b) Slide the seat adjusters to the most front position.
- (c) Place the adjusters on a spacer to adjust the seat rails in parallel and install the connecting pipe and rod with the 4 nuts.

HINT:

When installing the connecting pipe while raising up the adjusters, the lock positions adjusted in 2-(a) step slip off then lock error will occur.

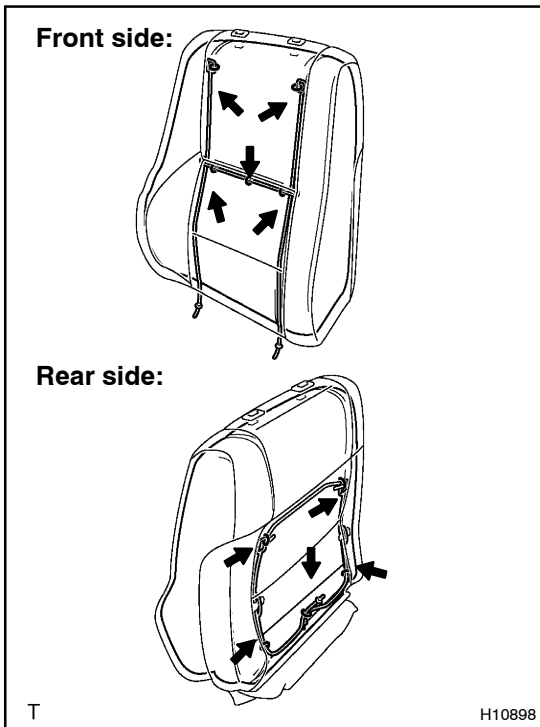
3. INSTALL SEAT TRACK HANDLE



4. INSTALL FRONT SEAT INNER BELT

Install the front seat inner belt with the washer and bolt.

Torque: 41 N·m (420 kgf·cm, 30 ft·lbf)



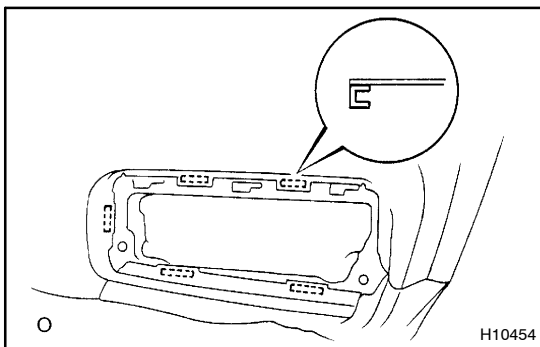
5. INSTALL SEATBACK COVER

- (a) Install the seatback cover with new hog rings.

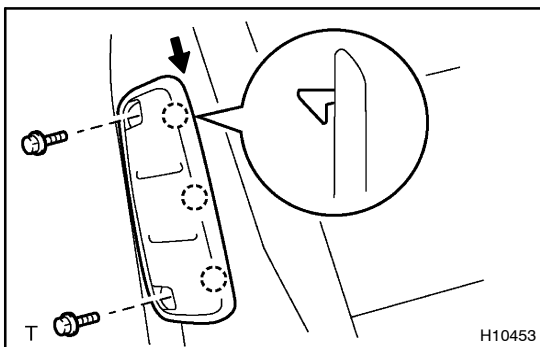
HINT:

When installing the hog rings, take care to prevent wrinkles as little as possible.

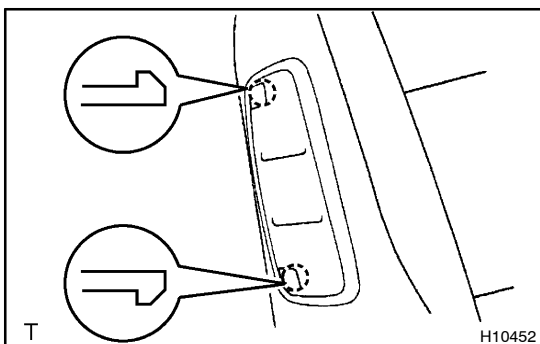
- (b) Install the headrest supports.



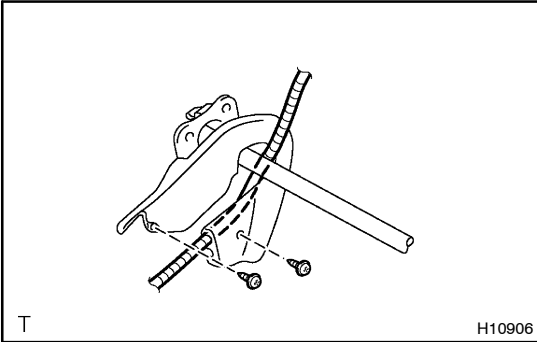
- (c) Hook the seatback cover hooks through the holes in the circumference of the side airbag assembly.



- (d) Slide the airbag door downward to install it.
(e) Install the 2 bolts.



- (f) Install the No.1 and No.2 airbag covers.

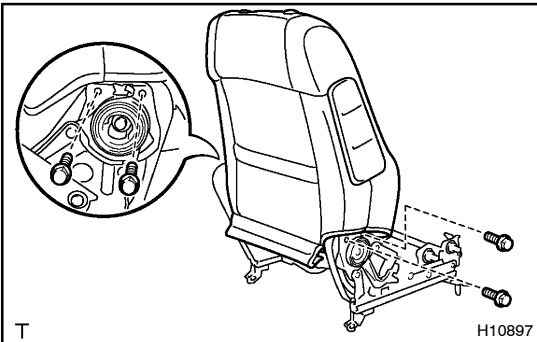


6. INSTALL SEATBACK ASSEMBLY

NOTICE:

Never use the seatback assembly from another vehicle. When replacing parts, replace them with new parts.

- Set the side airbag assembly wire harness to the reclining adjuster inside covers.
- Install the reclining adjuster inside cover with the 2 screws and employ the same manner described above to the other side.



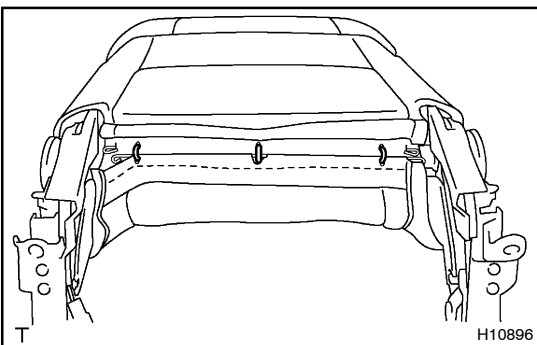
- Install the seatback assembly with the 4 bolts.

Torque: 43 N·m (440 kgf·cm, 32 ft·lbf)

- Turn the seatback cover over, then install 6 new hog rings.

HINT:

When installing the hog rings, take care to prevent wrinkles as little as possible.



- Install 3 new hog rings as shown in the illustration.

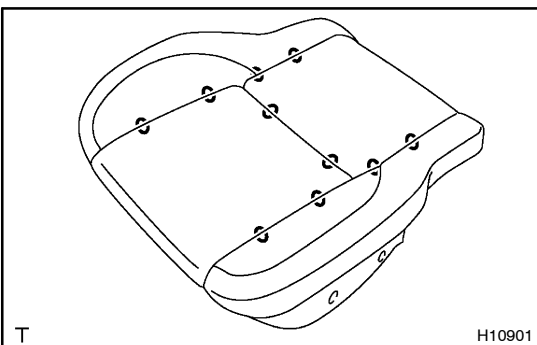
HINT:

When installing the hog rings, take care to prevent wrinkles as little as possible.

7. Passenger's seat:

INSTALL SEAT BELT SENSOR

Install the seat belt sensor to the seat cushion pad.

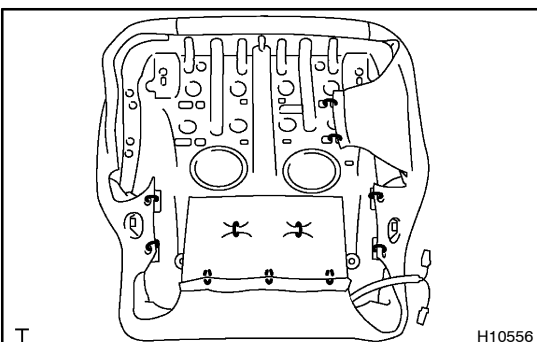


8. INSTALL SEAT CUSHION COVER

- Install the seat cushion cover with new hog rings to the seat cushion pad.

HINT:

When installing the hog rings, take care to prevent wrinkles as little as possible.

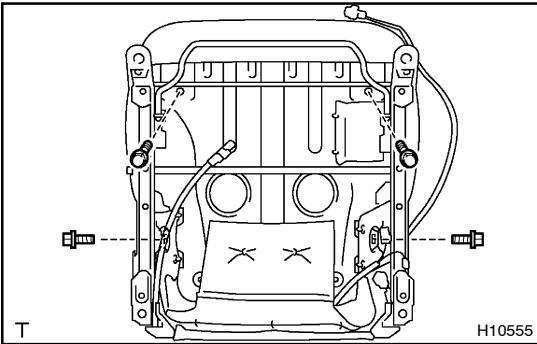


- Latch the seat cushion cover hooks to install the seat cushion cover with pad to the seat cushion pad.

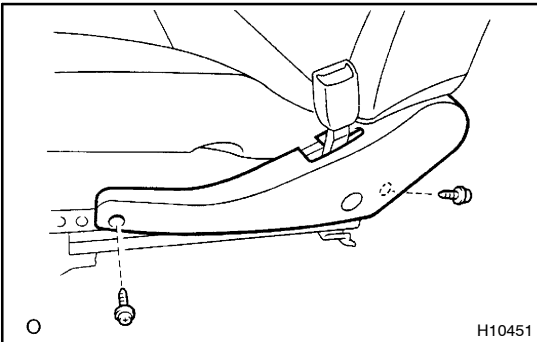
- Install new hog rings.

HINT:

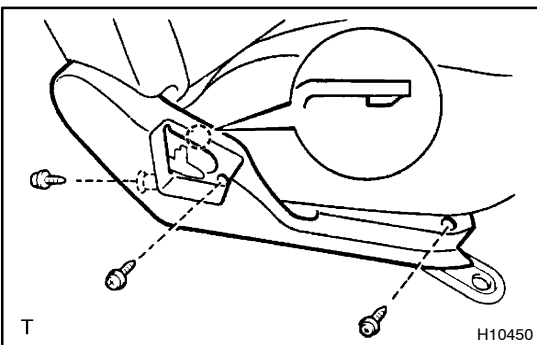
When installing the hog rings, take care to prevent wrinkles as little as possible.

**9. INSTALL SEAT CUSHION ASSEMBLY**

- (a) Install the seat cushion assembly with the 4 bolts.
Torque: 21 N·m (210 kgf·cm, 15 ft·lbf)
- (b) Attach the wire harness clamps.
- (c) Attach the side airbag assembly wire harness clamps.

**10. INSTALL FRONT SEAT CUSHION INNER SHIELD**

Install the front seat cushion inner shield with the 2 screws.

**11. INSTALL FRONT SEAT CUSHION OUTER SHIELD**

Install the front seat cushion outer shield with the 3 screws.

12. INSTALL RECLINING ADJUSTER RELEASE HANDLE

Install the reclining adjuster release handle with the screw.

13. INSTALL VERTICAL ADJUSTER KNOBS

Install the 2 vertical adjuster knobs with the 2 clips.

14. INSTALL HEADREST