

## INSTALLATION

### 1. INSTALL FRONT SEAT

- (a) Mount the front seat to the vehicle.

**NOTICE:**

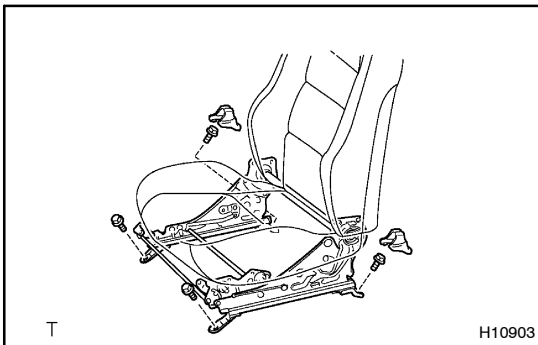
**Be careful not to damage the body.**

- (b) Connect the connectors.

**NOTICE:**

**When the wiring connector of the side airbag assembly is disconnected and the ignition switch is at ON or ACC position, DTCs will be recorded. To clear DTCs, see page DI-287.**

- (c) Slide the front seat to the rearmost position .



- (d) Tighten the bolts on the front side temporarily, starting from the bolt on the inner side tighten them completely.

**Torque: 38 N·m (387 kgf·cm, 28 ft·lbf)**

- (e) Slide the front seat to the most front position.

- (f) Tighten the bolts on the rear side temporarily, starting from the bolt on the inner side tighten them completely.

**Torque: 38 N·m (387 kgf·cm, 28 ft·lbf)**

### 2. INSTALL SEAT TRACK COVERS