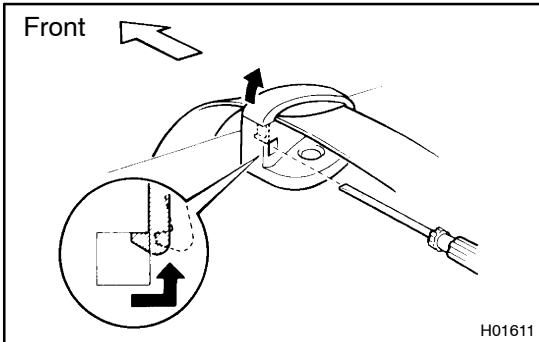


REMOVAL

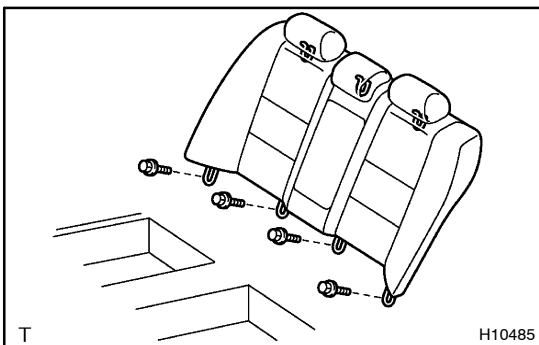
1. REMOVE SEAT CUSHION ASSEMBLY

Pull up the front portion of the seat cushion assembly, then remove it.



2. REMOVE SEATBACK ASSEMBLY

- (a) Using a screwdriver, remove the rear seat belt from the belt guide as shown in the illustration.
- (b) Employ the same manner described above to the other sides.



- (c) Remove the 4 bolts, then raise the seatback assembly upward to remove the seatback assembly.