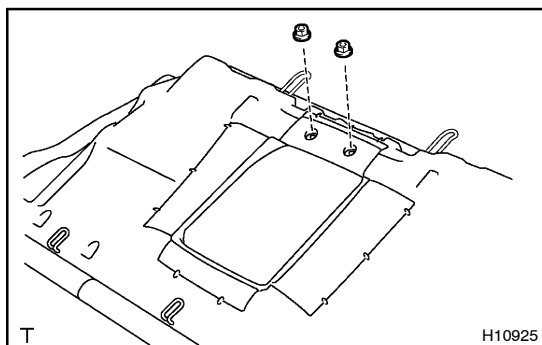


DISASSEMBLY

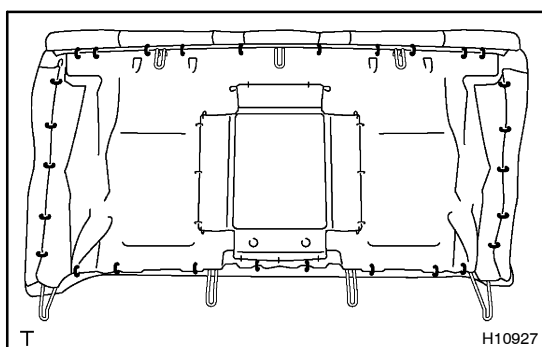
1. REMOVE HEADRESTS
2. REMOVE REAR SEAT BELT SHOULDER GUIDES

Remove the 4 screws and rear seat belt shoulder guides.



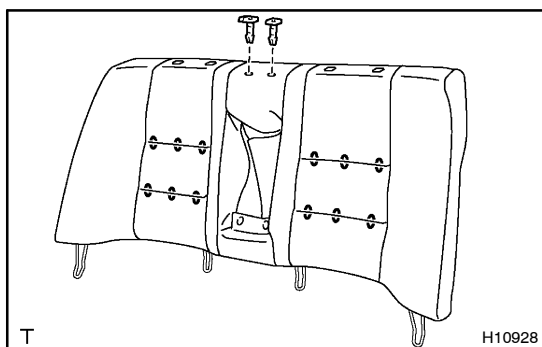
3. REMOVE REAR SEAT CENTER ARMREST

- (a) Remove the 2 nuts and rear seat center armrest with bracket.
- (b) Remove the 2 screws and armrest bracket.

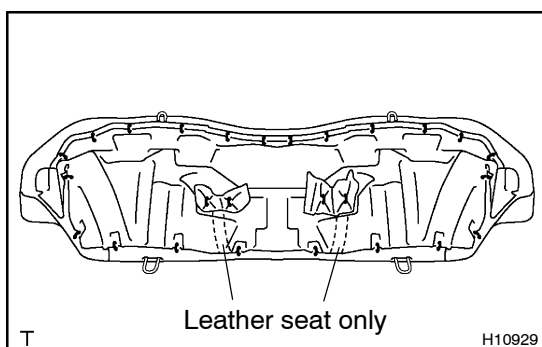


4. REMOVE SEATBACK COVER

- (a) Remove the 4 headrest supports.
- (b) Remove the hog rings on the back of seatback assembly.

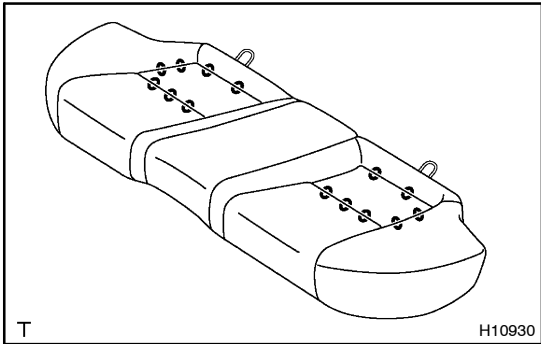


- (c) Remove the center headrest supports.
- (d) Remove the hog rings and seatback cover on the front of seatback assembly.



5. REMOVE SEAT CUSHION COVER

- (a) Remove the hog rings on the back of seat cushion assembly.



- (b) Remove the hog rings and seat cushion cover on the front of the seat cushion assembly.