

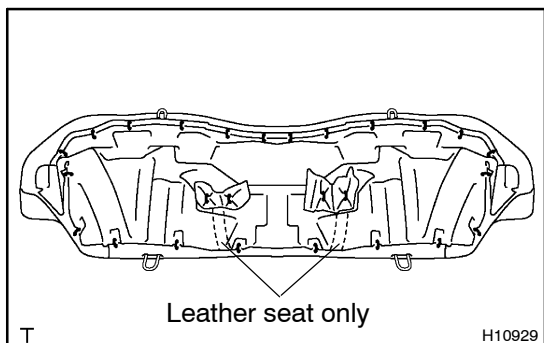
REASSEMBLY

1. INSTALL SEAT CUSHION COVER

- (a) Install the seat cushion cover with new hog rings to the front of seat cushion assembly.

HINT:

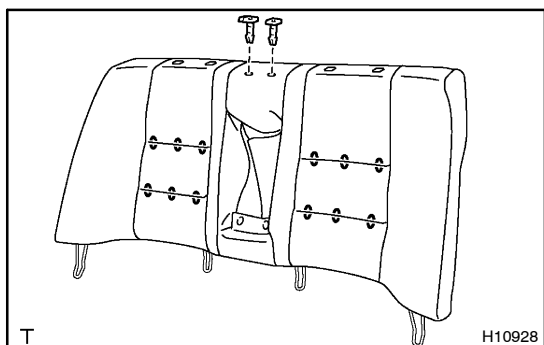
When installing the hog rings, take care to prevent wrinkles as little as possible.



- (b) Install new hog rings to the back of seat cushion assembly.

HINT:

When installing the hog rings, take care to prevent wrinkles as little as possible.



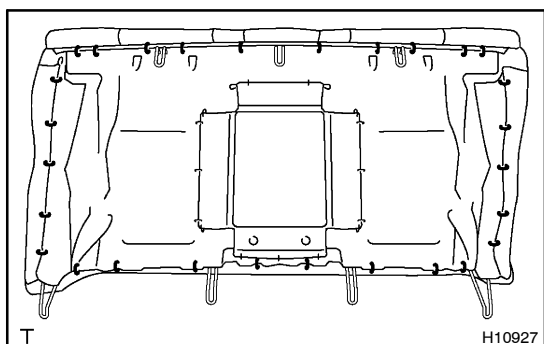
2. INSTALL SEATBACK COVER

- (a) Install seatback cover with new hog rings to the front of seatback assembly.

HINT:

When installing the hog rings, take care to prevent wrinkles as little as possible.

- (b) Install the center headrest supports.

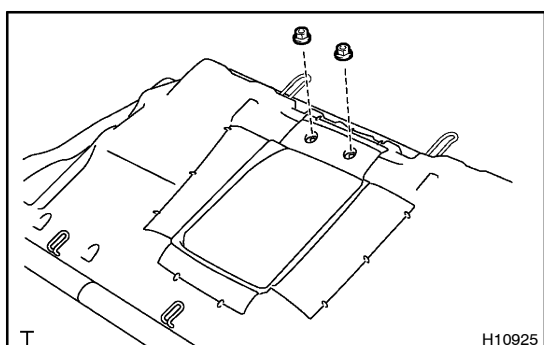


- (c) Install new hog rings on the back of seatback assembly.

HINT:

When installing the hog rings, take care to prevent wrinkles as little as possible.

- (d) Install the 4 headrest supports.



3. INSTALL REAR SEAT CENTER ARMREST

- (a) Install the armrest bracket with the 2 screws to the rear seat center armrest.

- (b) Install the rear seat center armrest with the bracket to the seatback assembly with the 2 nuts.

4. INSTALL REAR SEAT BELT SHOULDER GUIDES

Install the rear seat belt shoulder guides with the 4 screws to the seatback assembly.

5. INSTALL HEADRESTS